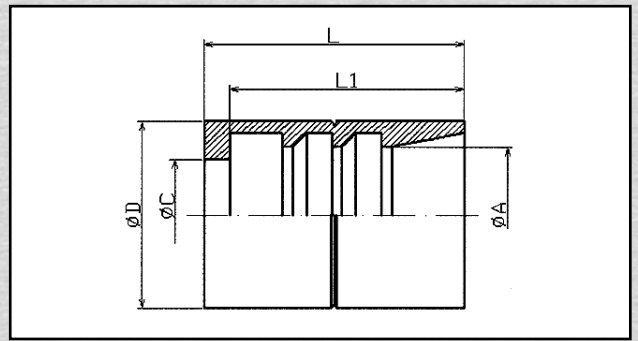


## Preßfassungen

SAE 100 R1A  
(DIN 20022 - 1ST)

### Crimp Ferrule for Hose

SAE 100 R1A  
(DIN 20022 - 1ST)



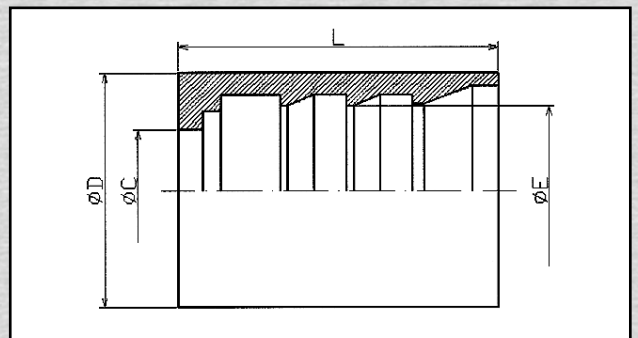
Schlauch Hose		Maßzahlen Dimensions					Artikel Article	Bestell-Nummer Order-No.	Preis Price €
DN	inch	L	L1	A	C	D			
05	3/16"	25	22,5	11	8,8	18	820030300	P1 - DN 05	*)
06	1/4"	31	29	12,1	11,2	20	820030400	P1 - DN 06	*)
08	5/16"	31	29	13,6	13	21	820030500	P1 - DN 08	*)
10	3/8"	31	29	16,1	14,3	24	820030600	P1 - DN 10	*)
12	1/2"	35,5	33	19,5	19	28	820030800	P1 - DN 12	*)
16	5/8"	36	33,5	22,5	21,7	31	820031000	P1 - DN 16	*)
20	3/4"	42,5	39,3	26,3	25	35	820031200	P1 - DN 20	*)
25	1"	50,5	46,5	34,4	30,5	42	820031600	P1 - DN 25	*)
32	1 1/4"	59	55	42,2	38	52	820032000	P1 - DN 32	*)
40	1 1/2"	63	59	48,4	44,3	58	820032400	P1 - DN 40	*)
50	2"	70	66	62	57,4	71	820033200	P1 - DN 50	*)

## Preßfassungen

SAE 100 R2A / R9R  
(DIN 20022 - 2ST/DIN 20023 - 4SP)  
(EN 853 - 2ST / EN 856 - 4SP)

### Crimp Ferrule for Hose

SAE 100 R2A / R9R  
(DIN 20022 - 2ST/DIN 20023 - 4SP)  
(EN 853 - 2ST / EN 856 - 4SP)



Schlauch Hose		Maßzahlen Dimensions				Artikel Article	Bestell-Nummer Order-No.	Preis Price €
DN	inch	L	C	D	E			
06	1/4"	30	11,4	22	15,8	ZPF122400400	P2 - DN 06	*)
08	5/16"	30	12,5	23	15,8	ZPF122400500	P2 - DN 08	*)
10	3/8"	31	14,5	26	18,5	ZPF122400600	P2 - DN 10	*)
12	1/2"	32	18,6	30	22,2	ZPF122400800	P2 - DN 12	*)
16	5/8"	36	21,8	33	25,4	ZPF122401000	P2 - DN 16	*)
20	3/4"	42,5	24,7	38	29,2	ZPF122401200	P2 - DN 20	*)
25	1"	51	30,5	46	36,4	ZPF122401600	P2 - DN 25	*)
32	1 1/4"	58	38	57	47,6	ZPF122402000	P2 - DN 32	*)
40	1 1/2"	62,5	44,5	65	54,2	ZPF122402400	P2 - DN 40	*)
50	2"	73,5	57	79	67	ZPF122403200	P2 - DN 50	*)

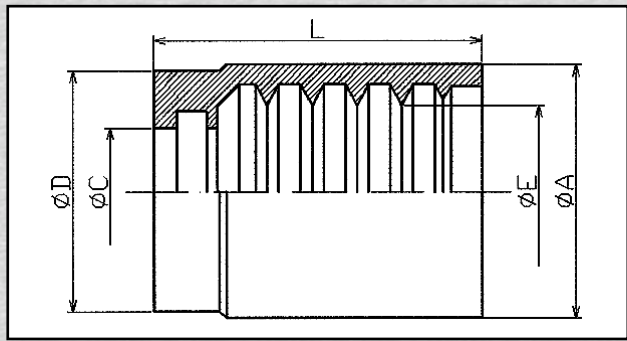
\*) Bitte Preisliste anfordern!  
\*) Please, request price list!

## Kombi-Preßfassungen

SAE 100 R1AT/R2AT  
(DIN 20022 - 1SN/2SN) (EN 853 - 1SN/2SN)

### Crimp Ferrule for Hose

SAE 100 R1AT/R2AT  
(DIN 20022 - 1SN/2SN) (EN 853 - 1SN/2SN)



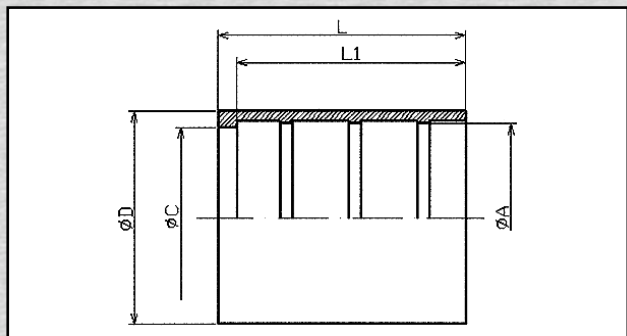
Schlauch Hose		Maßzahlen Dimensions					Artikel Article	Bestell-Nummer Order-No.	Preis Price €
DN	inch	L	A	C	D	E			
06	1/4"	30	23	11,5	21,8	15,6	ZPF221200400	P3/4 - DN 06	*)
08	5/16"	30	24	13,2	22,8	17,3	ZPF221200500	P3/4 - DN 08	*)
10	3/8"	31	26	14,9	24,6	19,7	ZPF221200600	P3/4 - DN 10	*)
12	1/2"	32	29	18,4	27,6	23	ZPF221200800	P3/4 - DN 12	*)
16	5/8"	36	33	21,5	31,8	26,3	ZPF221201000	P3/4 - DN 16	*)
20	3/4"	42,5	37	24,4	35,75	30,2	ZPF221201200	P3/4 - DN 20	*)
25	1"	51	46	31	43,3	39,2	ZPF221201600	P3/4 - DN 25	*)
32	1 1/4"	57,5	59	38,3	54	49,4	ZPF221202000	P3/4 - DN 32	*)
40	1 1/2"	60,5	67	44	62,3	56	ZPF221202400	P3/4 - DN 40	*)
50	2"	74	80	57	76	68,5	ZPF221203200	P3/4 - DN 50	*)

## Preßfassungen

für SAE 100 R7, R8  
für thermoplastischen Schlauch

### Crimp Ferrule for Hose

SAE 100 R7, R8  
for thermoplastic hose



Schlauch Hose		Maßzahlen Dimensions					Artikel Article	Bestell-Nummer Order-No.	Preis Price €
DN	inch	L	L1	A	C	D			
04	1/8"	24	22	9	7,5	13	810120200	P5 - DN 04	*)
05	3/16"	27	25	10	8,8	14	810120300	P5 - DN 05	*)
06	1/4"	32	29,5	12,4	11	16	810120400	P5 - DN 06	*)
08	5/16"	32	30	15,2	12,8	19	810120500	P5 - DN 08	*)
10	3/8"	31	28,5	17	14,5	21	810120600	P5 - DN 10	*)
12	1/2"	33	30,5	21	18,6	25	810120800	P5 - DN 12	*)
16	5/8"	36	33,5	24,5	22	29	810121000	P5 - DN 16	*)
20	3/4"	41	38	27,5	25	31,5	810121200	P5 - DN 20	*)
25	1"	50	46,3	34,8	31	40	810121600	P5 - DN 25	*)

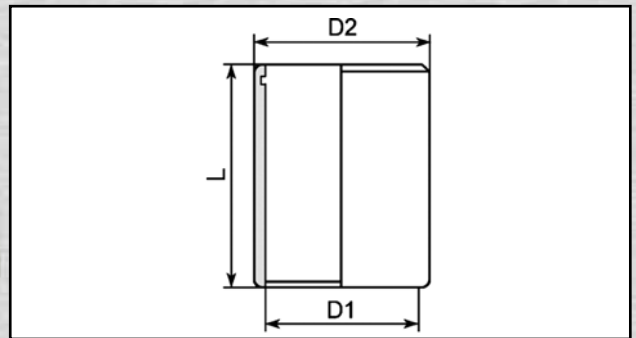
\*) Bitte Preisliste anfordern!  
\*) Please, request price list!

## Preßfassungen PF/P6

für PTFE-Glattschläuche  
und Wellschläuche

### Crimp Ferrules

for PTFE-hoses



## Stahl-Preßfassungen

für PTFE-Glattschlauch T1 und PTFE-Wellschlauch W1

### Carbon steel ferrules

for PTFE-hose T1 and PTFE-convoluted hose W1

Schlauch Hose		Maßzahlen Dimensions			Preßmaße crimp-dimensions			Bestell-Nummer Order-No.	Preis Price €
DN	inch	D1	D2	L	T1	T2	W1		€
05	1/8"	9,5	13,0	24	10,8	*)	*)	PF - W1 - DN 05	*)
06	1/4"	11,0	15,0	28	12,0	*)	12,0	PF - W1 - DN 06	*)
08	5/16"	15,5	19,1	32	14,1	*)	14,1	PF - W1 - DN 08/10	*)
10	3/8"	15,5	19,1	32	16,0	*)	16,0	PF - W1 - DN 08/10	*)
12	1/2"	20,0	25,0	34	20,9	*)	20,9	PF - W1 - DN 12	*)
16	5/8"	25,0	30,0	36	24,5	*)	24,5	PF - W1 - DN 16	*)
20	3/4"	28,0	33,0	39	28,0	*)	28,0	PF - W1 - DN 20	*)
25	1"	37,0	42,0	47	34,0	*)	34,0	PF - W1 - DN 25	*)
32	1 1/4"	43,0	47,5	54	–	–	40,0	PF - W1 - DN 32	*)
40	1 1/2"	49,8	55,0	65	–	–	47,1	PF - W1 - DN 40	*)
50	2"	63,0	68,5	75	–	–	60,1	PF - W1 - DN 50	*)

## Edelstahl-Preßfassungen

für PTFE-Glattschlauch T1 und PTFE-Wellschlauch W1

### Stainless steel ferrules

for PTFE-hose T1 and PTFE-convoluted hose W1

Schlauch Hose		Maßzahlen Dimensions			Preßmaße crimp-dimensions			Bestell-Nummer Order-No.	Preis Price €
DN	inch	D1	D2	L	T1	T2	W1		€
05	1/8"	9,5	13,0	24	10,8	*)	*)	P6 - DN 05	*)
06	1/4"	11,0	15,0	28	12,0	*)	12,0	P6 - DN 06	*)
08	5/16"	15,5	19,1	32	14,1	*)	14,1	P6 - DN 08/10	*)
10	3/8"	15,5	19,1	32	16,0	*)	16,0	P6 - DN 08/10	*)
12	1/2"	20,0	25,0	34	20,9	*)	20,9	P6 - DN 12	*)
16	5/8"	25,0	30,0	36	24,5	*)	24,5	P6 - DN 16	*)
20	3/4"	28,0	33,0	39	28,0	*)	28,0	P6 - DN 20	*)
25	1"	37,0	42,0	47	34,0	*)	34,0	P6 - DN 25	*)
32	1 1/4"	43,0	47,5	54	–	–	40,0	P6 - DN 32	*)
40	1 1/2"	49,8	55,0	65	–	–	47,1	P6 - DN 40	*)
50	2"	63,0	68,5	75	–	–	60,1	P6 - DN 50	*)

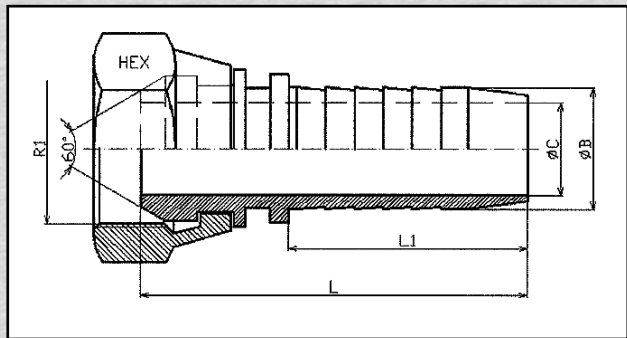
\*) Bitte Preisliste anfordern!  
\*) Please, request price list!

## Dichtkopf DKR

mit zölliger Überwurfmutter DKR 60° Konus

### Swivel Female

BSP 60° Cone

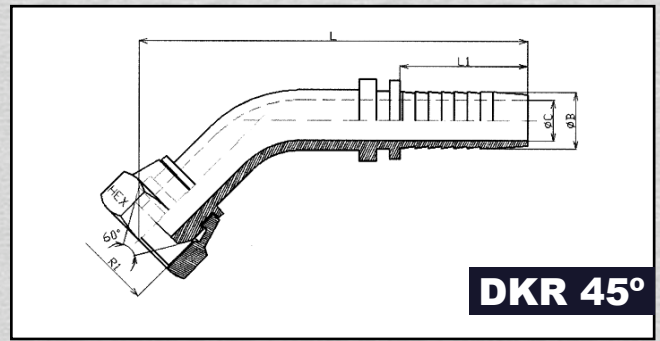
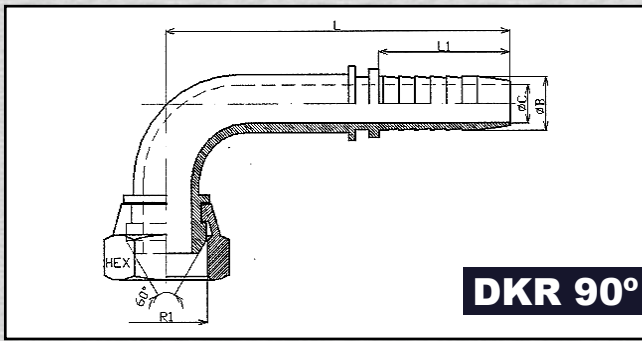


Schlauch Hose		Gewinde Thread	Maßzahlen Dimensions				Artikel Article	Bestell-Nummer Order-No.	Preis Price
DN	inch	R1	L	L1	C	HEX		€	
05	3/16"	1/8"	38,5	24	3	14	841000203	DKR 1.8 - DN 05	*)
06	1/4"	1/8"	43	28	4	14	841000204	DKR 1.8 - DN 06	*)
08	3/16"	1/4"	39,5	24	3	19	841000403	DKR 1.4 - DN 08	*)
06	1/4"	1/4"	44	28	4	19	841000404	DKR 1.4 - DN 06	*)
08	5/16"	1/4"	44,5	28	5,5	19	841000405	DKR 1.4 - DN 08	*)
06	1/4"	3/8"	45,5	28	4	22	841000604	DKR 3.8 - DN 06	*)
08	5/16"	3/8"	46	28	5,5	22	841000605	DKR 3.8 - DN 08	*)
10	3/8"	3/8"	47,5	29,5	7	22	841000606	DKR 3.8 - DN 10	*)
12	1/2"	3/8"	48	29,5	9,5	22	841000608	DKR 3.8 - DN 12	*)
10	3/8"	1/2"	48,5	29,5	7	27	841000806	DKR 1.2 - DN 10	*)
12	1/2"	1/2"	48,5	29,5	9,5	27	841000808	DKR 1.2 - DN 12	*)
16	5/8"	1/2"	53,3	34	12	27	841000810	DKR 1.2 - DN 16	*)
12	1/2"	5/8"	50	29,5	9,5	30	841001008	DKR 5.8 - DN 12	*)
16	5/8"	5/8"	54,8	34	12	30	841001010	DKR 5.8 - DN 16	*)
12	1/2"	3/4"	52	29,5	9,5	32	841001208	DKR 3.4 - DN 12	*)
16	5/8"	3/4"	56,8	34	12	32	841001210	DKR 3.4 - DN 16	*)
20	3/4"	3/4"	63	39	15	32	841001212	DKR 3.4 - DN 20	*)
20	3/4"	1"	66,5	39	15	41	841001612	DKR 1.1 - DN 20	*)
25	1"	1"	74,5	47	19	41	841001616	DKR 1.1 - DN 25	*)
25	1"	1 1/4"	75,5	47	19	50	841002016	DKR 5.4 - DN 25	*)
32	1 1/4"	1 1/4"	84,5	54,5	26	50	841002020	DKR 5.4 - DN 32	*)
40	1 1/2"	1 1/4"	88,5	54,5	26	55	841002420	DKR 5.4 - DN 40	*)
40	1 1/2"	1 1/2"	92	58	32	55	841002424	DKR 3.2 - DN 40	*)
40	1 1/2"	2"	91,5	58	32	70	841003224	DKR 4.2 - DN 40	*)
50	2"	2"	105	72	44	70	841003232	DKR 4.2 - DN 50	*)

\*) Bitte Preisliste anfordern!

\*) Please, request price list!





Schlauch Hose		Gewinde Thread R1	Maßzahlen Dimensions				Artikel Article	Bestell-Nummer Order-No.	Preis Price €
DN	inch		L	L1	C	HEX		DKR 90°	
06	1/4"	1/4"	56	28	4	19	841070404	DKR 1.4 - DN 06	*)
08	5/16"	3/8"	67	28	5,5	22	841070605	DKR 3.8 - DN 08	*)
10	3/8"	3/8"	68	29,5	7	22	841070606	DKR 3.8 - DN 10	*)
10	3/8"	1/2"	72	29,5	7	27	841070806	DKR 1.2 - DN 10	*)
12	1/2"	1/2"	69	29,5	9,5	27	841070808	DKR 1.2 - DN 12	*)
16	5/8"	3/4"	97	34	12	32	841071210	DKR 3.4 - DN 16	*)
20	3/4"	3/4"	102	39	15	32	841071212	DKR 3.4 - DN 20	*)
25	1"	1"	115	47	19	41	841071616	DKR 1.1 - DN 25	*)
32	1 1/4"	1 1/4"	146	54,5	26	50	841072020	DKR 5.4 - DN 32	*)
40	1 1/2"	1 1/2"	171	58	32	55	841072424	DKR 3.2 - DN 40	*)
50	2"	2"	200	72	44	65	841073232	DKR 4.2 - DN 50	*)

Schlauch Hose		Gewinde Thread R1	Maßzahlen Dimensions				Artikel Article	Bestell-Nummer Order-No.	Preis Price €
DN	inch		L	L1	C	HEX		DKR 45°	
06	1/4"	1/4"	66	28	4	19	841080404	DKR 1.4 - DN 06	*)
08	5/16"	3/8"	68	28	5,5	22	841080605	DKR 3.8 - DN 08	*)
10	3/8"	3/8"	69	29,5	7	22	841080606	DKR 3.8 - DN 10	*)
10	3/8"	1/2"	87	29,5	7	27	841080806	DKR 1.2 - DN 10	*)
12	1/2"	1/2"	89	29,5	9,5	27	841080808	DKR 1.2 - DN 12	*)
16	5/8"	3/4"	120	34	12	32	841081210	DKR 3.4 - DN 16	*)
20	3/4"	3/4"	128	39	15	32	841081212	DKR 3.4 - DN 20	*)
25	1"	1"	160	47	19	41	841081616	DKR 1.1 - DN 25	*)
32	1 1/4"	1 1/4"	196	54,5	26	50	841082020	DKR 5.4 - DN 32	*)
40	1 1/2"	1 1/2"	234	58	32	55	841082424	DKR 3.2 - DN 40	*)
50	2"	2"	290	72	44	65	841083232	DKR 4.2 - DN 50	*)

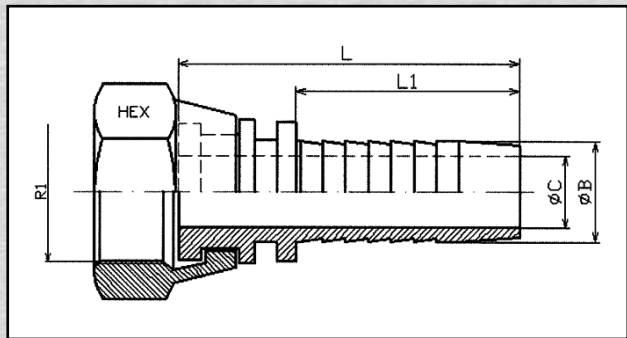
\*) Bitte Preisliste anfordern!  
\*) Please, request price list!

## Dichtkopf DKRF

mit BSP Überwurfmutter flachdichtend

### Swivel Female BSP

Flat Seat



Schlauch Hose		Gewinde Thread	Maßzahlen Dimensions				Artikel Article	Bestell-Nummer Order-No.	Preis Price
DN	inch	R1	L	L1	C	HEX		€	
06	1/4"	1/4"	41	28	4	19	842000404	DKRF 1.4 - DN 06	*)
06	1/4"	3/8"	42,5	28	4	22	842000604	DKRF 3.8 - DN 06	*)
08	5/16"	3/8"	43	28	5,5	22	842000605	DKRF 3.8 - DN 08	*)
10	3/8"	3/8"	44,5	29,5	7	22	842000606	DKRF 3.8 - DN 10	*)
12	1/2"	3/8"	45	29,5	9,5	22	842000608	DKRF 3.8 - DN 12	*)
06	1/4"	1/2"	42,5	28	4	27	842000804	DKRF 1.2 - DN 06	*)
10	3/8"	1/2"	44,5	29,5	7	27	842000806	DKRF 1.2 - DN 10	*)
12	1/2"	1/2"	45	29,5	9,5	27	842000808	DKRF 1.2 - DN 12	*)
12	1/2"	3/4"	48	29,5	9,5	32	842001208	DKRF 3.4 - DN 12	*)
16	5/8"	3/4"	52,8	34	12	32	842001210	DKRF 3.4 - DN 16	*)
20	3/4"	3/4"	59	39	15	32	842001212	DKRF 3.4 - DN 20	*)
25	1"	1"	69	47	19	41	842001616	DKRF 1.1 - DN 25	*)
32	1 1/4"	1 1/4"	79,5	54,5	26	50	842002020	DKRF 5.4 - DN 32	*)
40	1 1/2"	1 1/2"	83,5	58	32	55	842002424	DKRF 3.2 - DN 40	*)
50	2"	2"	100,5	72	44	65	842003232	DKRF 4.2 - DN 50	*)

\*) Bitte Preisliste anfordern!

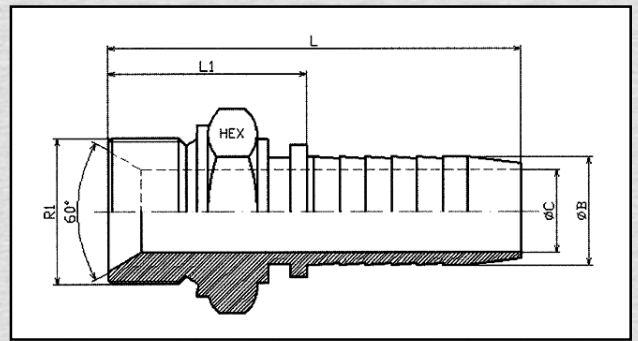
\*) Please, request price list!

## Außengewinde AGR

BSP-Außengewindenippel, 60° Konus

### BSP-Male

with 60° Cone



Schlauch Hose		Gewinde Thread	Maßzahlen Dimensions				Artikel Article	Bestell-Nummer Order-No.	Preis Price
DN	inch	R1	L	L1	C	HEX		€	
06	1/4"	1/8"	48,5	20,5	4	14	841120204	AGR 1.8 - DN 06	*)
05	3/16"	1/4"	47,5	23,5	3	17	841120403	AGR 1.4 - DN 05	*)
06	1/4"	1/4"	52	24	4	17	841120404	AGR 1.4 - DN 06	*)
06	1/4"	3/8"	55	27	4	22	841120604	AGR 3.8 - DN 06	*)
08	5/6"	3/8"	55	27	5,5	22	841120605	AGR 3.8 - DN 08	*)
10	3/8"	3/8"	57,5	28	7	22	841120606	AGR 3.8 - DN 10	*)
10	3/8"	1/2"	61,5	32	7	27	841120806	AGR 1.2 - DN 10	*)
12	1/2"	1/2"	62	32,5	9,5	27	841120808	AGR 1.2 - DN 12	*)
16	5/8"	5/8"	67,8	33,8	12	30	841121010	AGR 5.8 - DN 16	*)
16	5/8"	3/4"	68,8	34,8	12	32	841121210	AGR 3.4 - DN 16	*)
20	3/4"	3/4"	75	36	15	32	841121212	AGR 3.4 - DN 20	*)
20	3/4"	1"	80	41	15	41	841121612	AGR 1.1 - DN 20	*)
25	1"	1"	88,5	41,5	19	41	841121616	AGR 1.1 - DN 25	*)
25	1"	1 1/4"	91	44	19	50	841122016	AGR 5.4 - DN 25	*)
32	1 1/4"	1 1/4"	100	45,5	26	50	841122020	AGR 5.4 - DN 32	*)
32	1 1/4"	1 1/2"	102,5	48	26	55	841122420	AGR 3.2 - DN 32	*)
40	1 1/2"	1 1/2"	106	48	32	55	841122424	AGR 3.2 - DN 40	*)
50	2"	2"	125	53	44	65	841123232	AGR 4.2 - DN 50	*)

\*) Bitte Preisliste anfordern!

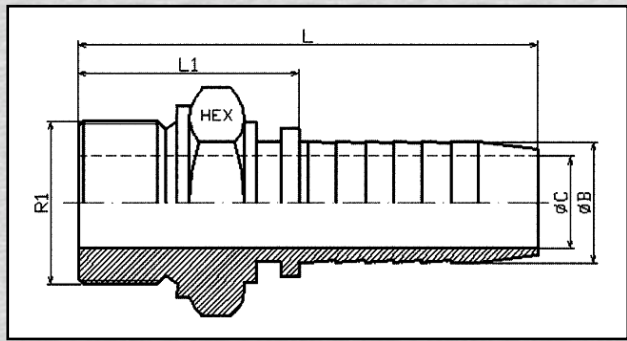
\*) Please, request price list!

## Außengewinde AGRF

BSP-Gewinde flachdichtend

### BSP-Male

Flat face



Schlauch Hose		Gewinde Thread	Maßzahlen Dimensions				Artikel Article	Bestell-Nummer Order-No.	Preis Price
DN	inch	R1	L	L1	C	HEX		€	
06	1/4"	1/4"	52	24	4	17	842120404	AGRF 1.4 - DN 06	*)
08	5/16"	3/8"	55	27	5,5	22	842120605	AGRF 3.8 - DN 08	*)
10	3/8"	3/8"	57,5	28	7	22	842120606	AGRF 3.8 - DN 10	*)
10	3/8"	1/2"	61,5	32	7	27	842120806	AGRF 1.2 - DN 10	*)
12	1/2"	1/2"	62	32,5	9,5	27	842120808	AGRF 1.2 - DN 12	*)
16	5/8"	5/8"	67,8	33,8	12	30	842121010	AGRF 5.8 - DN 16	*)
20	3/4"	3/4"	75	36	15	32	842121212	AGRF 3.4 - DN 20	*)
20	3/4"	1"	80	41	15	41	842121612	AGRF 1.1 - DN 20	*)
25	1"	1"	88,5	41,5	19	41	842121616	AGRF 1.1 - DN 25	*)
25	1"	1 1/4"	91	44	19	50	842122016	AGRF 5.4 - DN 25	*)
32	1 1/4"	1 1/4"	100	45,5	26	50	842122020	AGRF 5.4 - DN 32	*)
40	1 1/2"	1 1/2"	106	48	32	55	842122424	AGRF 2.2 - DN 40	*)
50	2"	2"	125	53	44	65	842123232	AGRF 2.2 - DN 50	*)

\*) Bitte Preisliste anfordern!

\*) Please, request price list!

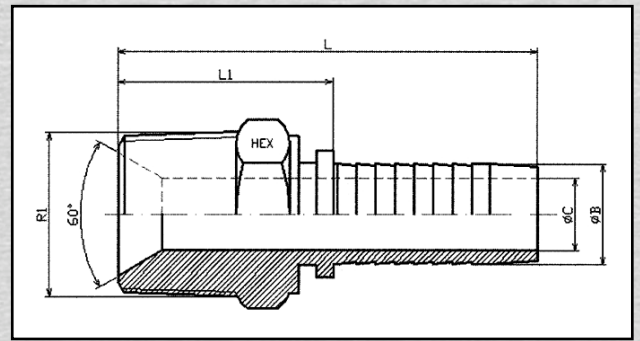


## Außengewinde AGR-keg.

zöllig-kegelig, 60° Konus

### BSPT-Male

Tapered, 60° Cone



Schlauch Hose		Gewinde Thread R1	Maßzahlen Dimensions				Artikel Article	Bestell-Nummer Order-No.	Preis Price €
DN	inch		L	L1	C	HEX			
06	1/4"	1/4" BSPT	53,5	25,5	4	17	841140404	AGR 1.4k - DN 06	*)
08	5/16"	1/4" BSPT	53,5	25,5	5,5	17	841140405	AGR 1.4k - DN 08	*)
10	3/8"	1/4" BSPT	55,5	26	7	17	841140406	AGR 1.4k - DN 10	*)
06	1/4"	3/8" BSPT	55	27	4	19	841140604	AGR 3.8k - DN 06	*)
08	5/16"	3/8" BSPT	55	27	5,5	19	841140605	AGR 3.8k - DN 08	*)
10	3/8"	3/8" BSPT	57	27,5	7	19	841140606	AGR 3.8k - DN 10	*)
10	3/8"	1/2" BSP	62	32,5	7	22	841140806	AGR 1.2k - DN 10	*)
12	1/2"	1/2" BSP	62,5	33	9,5	22	841140808	AGR 1.2k - DN 12	*)
12	1/2"	3/4" BSPT	65	35	9,5	30	841141208	AGR 3.4k - DN 12	*)
16	5/8"	3/4" BSPT	71,3	37,3	12	27	841141210	AGR 3.4k - DN 16	*)
20	3/4"	3/4" BSPT	76	37	15	30	841141212	AGR 3.4k - DN 20	*)
20	3/4"	1" BSPT	81	42	15	36	841141612	AGR 1.1k - DN 20	*)
25	1"	1" BSPT	89	42	19	36	841141616	AGR 1.1k - DN 25	*)
25	1"	1 1/4" BSPT	94	47	19	46	841142016	AGR 5.4k - DN 25	*)
32	1 1/4"	1 1/4" BSPT	103	48,5	26	46	841142020	AGR 5.4k - DN 32	*)
32	1 1/4"	1 1/2" BSPT	103,5	48,5	26	50	841142420	AGR 3.2k - DN 32	*)
40	1 1/2"	1 1/2" BSPT	107	49	32	50	841142424	AGR 3.2k - DN 40	*)
50	2"	2" BSPT	125	53	44	65	841143232	AGR 4.2k - DN 50	*)

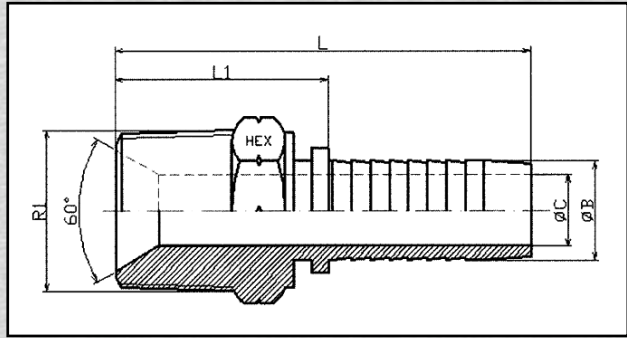
\*) Bitte Preisliste anfordern!  
\*) Please, request price list!

## Außengewinde AGN

NPT-Gewinde mit 60° Konus

### NPT-Male

with 60° Cone



Schlauch Hose		Gewinde Thread		Maßzahlen Dimensions				Artikel Article	Bestell-Nummer Order-No.	Preis Price
DN	inch	R1		L	L1	C	HEX			€
05	3/16"	1/8"	NPT	44,5	20,5	3	14	841610203	AGN 1.8 - DN 05	*)
06	1/4"	1/8"	NPT	49	21	4	14	841610204	AGN 1.8 - DN 06	*)
05	3/16"	1/4"	NPT	49	25	3	14	841610403	AGN 1.4 - DN 05	*)
06	1/4"	1/4"	NPT	53,5	25,5	4	14	841610404	AGN 1.4 - DN 06	*)
08	5/16"	1/4"	NPT	53,5	25,5	5,5	14	841610405	AGN 1.4 - DN 08	*)
06	1/4"	3/8"	NPT	55	27	4	19	841610604	AGN 3.8 - DN 06	*)
08	5/16"	3/8"	NPT	54	27	5,5	19	841610605	AGN 3.8 - DN 08	*)
10	3/8"	3/8"	NPT	57	27,5	7	19	841610606	AGN 3.8 - DN 10	*)
10	3/8"	1/2"	NPT	61,5	32	7	22	841610806	AGN 1.2 - DN 10	*)
12	1/2"	1/2"	NPT	62	32,5	9,5	22	841610808	AGN 1.2 - DN 12	*)
16	5/8"	1/2"	NPT	70	36	12	22	841610810	AGN 1.2 - DN 16	*)
12	1/2"	3/4"	NPT	65,5	36	9,5	27	841611208	AGN 3.4 - DN 12	*)
16	5/8"	3/4"	NPT	70,3	36,3	12	27	841611210	AGN 5.8 - DN 16	*)
20	3/4"	3/4"	NPT	76,5	37,5	15	30	841611212	AGN 3.4 - DN 20	*)
20	3/4"	1"	NPT	81	42	15	36	841611612	AGN 1.1 - DN 20	*)
25	1"	1"	NPT	89,5	42,5	19	36	841611616	AGN 1.1 - DN 25	*)
25	1"	1 1/4"	NPT	94	47	19	46	841612016	AGN 5.4 - DN 25	*)
32	1 1/4"	1 1/4"	NPT	103	48,5	26	46	841612020	AGN 5.4 - DN 32	*)
32	1 1/4"	1 1/2"	NPT	104	49,5	26	50	841612420	AGN 3.2 - DN 32	*)
40	1 1/2"	1 1/2"	NPT	107,5	49,5	32	50	841612424	AGN 3.2 - DN 40	*)
50	2"	2"	NPT	127,5	55	44	65	841613232	AGN 4.2 - DN 50	*)

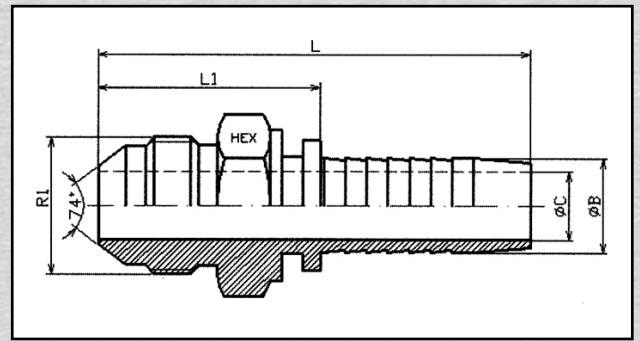
\*) Bitte Preisliste anfordern!  
\*) Please, request price list!

## Außengewindenippel JIC

AGJ

**JIC Male**

74° Cone



Schlauch Hose		Gewinde Thread		Maßzahlen Dimensions				Artikel Article	Bestell-Nummer Order-No.	Preis Price
DN	inch	R1		L	L1	C	HEX			€
05	3/16"	7/16"	20h	49,5	25,5	3	14	841400703	AGJ 7.16 - DN 05	*)
06	1/4"	7/16"	20h	54	26	4	14	841400704	AGJ 7.16 - DN 06	*)
06	1/4"	1/2"	20h	54	26	4	17	841400804	AGJ 1.2 - DN 06	*)
08	5/16"	1/2"	20h	54,5	26,5	5,5	17	841400805	AGJ 1.2 - DN 08	*)
06	1/4"	9/16"	18h	53,5	25,5	4	19	841400904	AGJ 9.16 - DN 06	*)
08	5/16"	9/16"	18h	54	26	5,5	19	841400905	AGJ 9.16 - DN 08	*)
10	3/8"	9/16"	18h	56,5	27	7	19	841400906	AGJ 9.16 - DN 10	*)
10	3/8"	3/4"	16h	60,5	31	7	22	841401206	AGJ 3.4 - DN 10	*)
12	1/2"	3/4"	16h	61	31,5	9,5	22	841401208	AGJ 3.4 - DN 12	*)
10	3/8"	7/8"	14h	63	33,5	7	24	841401406	AGJ 7.8 - DN 10	*)
12	1/2"	7/8"	14h	63,5	34	9,5	24	841401408	AGJ 7.8 - DN 12	*)
16	5/8"	7/8"	14h	68,3	34,3	12	24	841401410	AGJ 7.8 - DN 16	*)
16	5/8"	1 1/16"	12h	72,3	38,3	12	32	841401710	AGJ 11.16 - DN16	*)
20	3/4"	1 1/16"	12h	78	39	15	32	841401712	AGJ 11.16 - DN 20	*)
25	1"	1 1/16"	12h	86,5	39,5	19	32	841401716	AGJ 11.16 - DN 25	*)
20	3/4"	1 5/16"	12h	79,5	40,5	15	41	841402112	AGJ 15.16 - DN 20	*)
25	1"	1 5/16"	12h	88	41	19	41	841402116	AGJ 15.16 - DN 25	*)
25	1"	1 5/8"	12h	89,5	42,5	19	46	841402616	AGJ 15.8 - DN 25	*)
32	1 1/4"	1 5/8"	12h	99,5	45	26	46	841402620	AGJ 15.8 - DN 32	*)
40	1 1/2"	1 7/8"	12h	108	50	32	50	841403024	AGJ 17.8 - DN 40	*)
50	2"	2 1/2"	12h	128	56	44	70	841404032	AGJ 2.0 - DN 50	*)

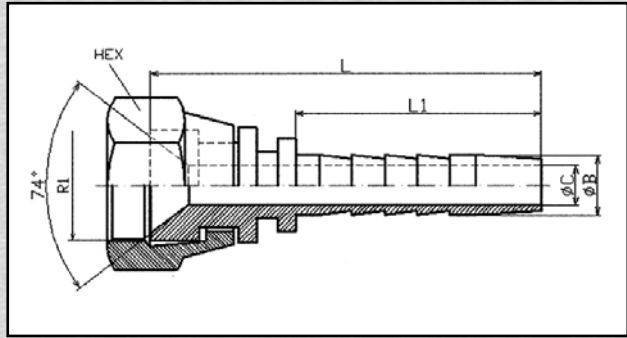
\*) Bitte Preisliste anfordern!  
\*) Please, request price list!

## Dichtkonus JIC, DKJ

37° Dichtschräge mit UNF Mutter

### JIC Swivel Female

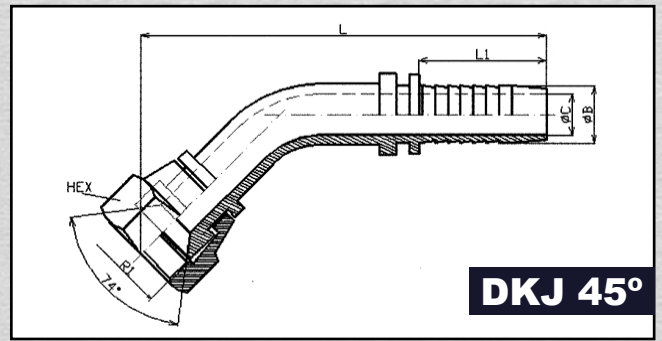
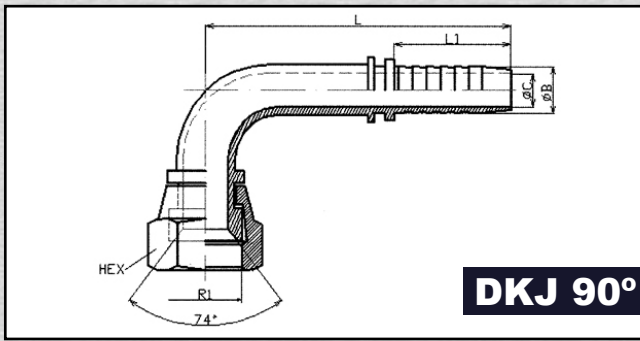
74° Cone, UNF nuts



Schlauch Hose		Gewinde Thread		Maßzahlen Dimensions				Artikel Article	Bestell-Nummer Order-No.	Preis Price
DN	inch	R1		L	L1	C	HEX			€
05	3/16"	7/16"	20h	38,5	24	3	14	841420703	DKJ 7.16 - DN 05	*)
06	1/4"	7/16"	20h	43	28	4	14	841420704	DKJ 7.16 - DN 06	*)
05	3/16"	1/2"	20h	39,5	24	3	17	841420803	DKJ 1.2 - DN 05	*)
06	1/4"	1/2"	20h	44	28	4	17	841420804	DKJ 1.2 - DN 06	*)
08	5/16"	1/2"	20h	44,5	28	5,5	19	841420805	DKJ 1.2 - DN 08	*)
06	1/4"	9/16"	18h	45	28	4	19	841420904	DKJ 9.16 - DN 06	*)
08	5/16"	9/16"	18h	45,5	28	5,5	19	841420905	DKJ 9.16 - DN 08	*)
10	3/8"	9/16"	18h	47	29,5	7	19	841420906	DKJ 9.16 - DN 10	*)
10	3/8"	3/4"	16h	48,5	29,5	7	24	841421206	DKJ 3.4 - DN 10	*)
12	1/2"	3/4"	16h	49	29,5	9,5	24	841421208	DKJ 3.4 - DN 12	*)
10	3/8"	7/8"	14h	49,2	29,5	7	27	841421406	DKJ 7.8 - DN 10	*)
12	1/2"	7/8"	14h	49,7	29,5	9,5	27	841421408	DKJ 7.8 - DN 12	*)
16	5/8"	7/8"	14h	54,5	34	12	27	841421410	DKJ 7.8 - DN 16	*)
12	1/2"	1 1/16"	12h	51	29,5	9,5	32	841421708	DKJ 1.1/16 - DN 12	*)
16	5/8"	1 1/16"	12h	55,8	34	12	32	841421710	DKJ 1.1/16 - DN 16	*)
20	3/4"	1 1/16"	12h	62	39	15	32	841421712	DKJ 1.1/16 - DN 20	*)
25	1"	1 1/16"	12h	70	47	19	32	841421716	DKJ 1.1/16 - DN 25	*)
20	3/4"	1 5/16"	12h	63,5	39	15	38	841422112	DKJ 1.5/16 - DN 20	*)
25	1"	1 5/16"	12h	71,5	47	19	38	841422116	DKJ 1.5/16 - DN 25	*)
25	1"	1 5/8"	12h	74	47	19	50	841422616	DKJ 1.5/8 - DN 25	*)
32	1 1/4"	1 5/8"	12h	83	54,5	26	50	841422620	DKJ 1.5/8 - DN 32	*)
40	1 1/2"	1 7/8"	12h	89	58	32	55	841423024	DKJ 1.7/8 - DN 40	*)
50	2"	2 1/2"	12h	102	72	44	70	841424032	DKJ 2.1/2 - DN 50	*)

\*) Bitte Preisliste anfordern!

\*) Please, request price list!



Schlauch Hose		Gewinde Thread		Maßzahlen Dimensions				Artikel Article	Bestell-Nummer Order-No.	Preis Price
DN	inch	R1		L	L1	C	HEX			
06	1/4"	7/16"	20h UNF	56	28	4	14	841380704	DKJ 7.16 - DN 06	*)
06	1/4"	1/2"	20h UNF	56	28	4	17	841380804	DKJ 1.2 - DN 06	*)
06	1/4"	9/16"	18h UNF	56	28	4	19	841380904	DKJ 9.16 - DN 06	*)
08	5/16"	1/2"	20h UNF	67	28	5,5	17	841380805	DKJ 1.2 - DN 08	*)
08	5/16"	9/16"	18h UNF	67	28	5,5	19	841380905	DKJ 9.16 - DN 08	*)
10	3/8"	9/16"	18h UNF	67	29,5	7	19	841380906	DKJ 9.16 - DN 10	*)
10	3/8"	3/4"	16h UNF	70	29,5	7	24	841381206	DKJ 3.4 - DN 10	*)
12	1/2"	3/4"	16h UNF	70	29,5	9,5	24	841381208	DKJ 3.4 - DN 12	*)
12	1/2"	7/8"	14h UNF	78	29,5	9,5	27	841381408	DKJ 7.8 - DN 12	*)
16	5/8"	7/8"	14h UNF	80	34	12,5	27	841381410	DKJ 7.8 - DN 16	*)
20	3/4"	1 1/16"	12h UNF	102	39	15	32	841381712	DKJ 1.1/16 - DN 20	*)
25	1"	1 5/16"	12h UNF	113	47	19	38	841382116	DKJ 1.5/16 - DN 25	*)
32	5/4"	1 5/8"	12h UNF	*)	*)	*)	*)	841382620	DKJ 1.5/8 - DN 32	*)
40	1 1/2"	1 7/8"	12h UNF	*)	*)	*)	*)	841383024	DKJ 1.7/8 - DN 40	*)
50	2"	2 1/2"	12h UNF	*)	*)	*)	*)	841384032	DKJ 2.1/2 - DN 50	*)

Schlauch Hose		Gewinde Thread		Maßzahlen Dimensions				Artikel Article	Bestell-Nummer Order-No.	Preis Price
DN	inch	R1		L	L1	C	HEX			
06	1/4"	7/16"	20h UNF	66	28	4	14	841390704	DKJ 7.16 - DN 06	*)
06	1/4"	1/2"	20h UNF	66	28	4	17	841390804	DKJ 1.2 - DN 06	*)
06	1/4"	9/16"	18h UNF	66	28	4	19	841390904	DKJ 9.16 - DN 06	*)
08	5/16"	1/2"	20h UNF	68	28	5,5	17	841390805	DKJ 1.2 - DN 08	*)
08	5/16"	9/16"	18h UNF	68	28	5,5	19	841390905	DKJ 9.16 - DN 08	*)
10	3/8"	9/16"	18h UNF	68	29,5	7	19	841390906	DKJ 9.16 - DN 10	*)
10	3/8"	3/4"	16h UNF	96	29,5	7	24	841391206	DKJ 3.4 - DN 10	*)
12	1/2"	3/4"	16h UNF	100	29,5	9,5	24	841391208	DKJ 3.4 - DN 12	*)
12	1/2"	7/8"	14h UNF	100	29,5	9,5	27	841391408	DKJ 7.8 - DN 12	*)
16	5/8"	7/8"	14h UNF	104	34	12,5	27	841391410	DKJ 7.8 - DN 16	*)
20	3/4"	1 1/16"	12h UNF	133	39	15	32	841391712	DKJ 1.1/16 - DN 20	*)
25	1"	1 5/16"	12h UNF	136	47	19	38	841392116	DKJ 1.5/16 - DN 25	*)
32	1 1/4"	1 5/8"	12h UNF	*)	*)	*)	*)	841392620	DKJ 1.5/8 - DN 32	*)
40	1 1/2"	1 7/8"	12h UNF	*)	*)	*)	*)	841393024	DKJ 1.7/8 - DN 40	*)
50	2"	2 1/2"	12h UNF	*)	*)	*)	*)	841394032	DKJ 2.1/2 - DN 50	*)

\*) Bitte Preisliste anfordern!  
 \*) Please, request price list!

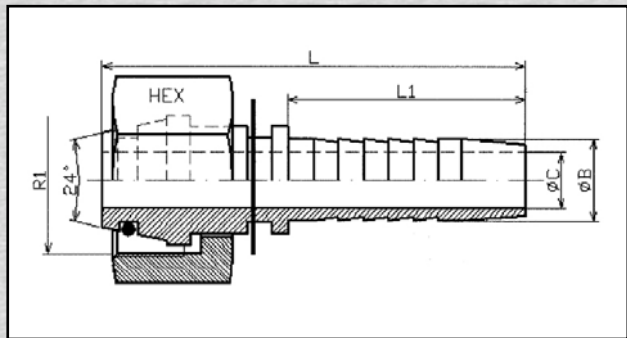


## Dichtkegel

mit Überwurfmutter und O-Ring  
DIN 20078 NP  
DKOL / DKOS

### Swivel Female

Metric 24° Cone  
with o-ring



Schlauch Hose		Rohe Ø Tube Ø	Gewinde Thread	Maßzahlen Dimensions			Artikel Article	Bestell-Nummer Order-No.	Preis Price	
DN	inch	RA	R1	L	L1	C	HEX		€	
05	3/16"	6 L	12x1,5	46	24	3	14	84804120603	DKO 06 L - DN 05	*)
06	1/4"	6 L	12x1,5	46,5	28	4	14	84804120604	DKO 06 L - DN 06	*)
06	1/4"	8 L	14x1,5	52	28	4	17	84804140804	DKO 08 L - DN 06	*)
06	1/4"	10 L	16x1,5	50	28	4	19	84804161004	DKO 10 L - DN 06	*)
08	5/16"	10 L	16x1,5	52,8	28	5,5	19	84804161005	DKO 10 L - DN 08	*)
10	3/8"	10 L	16x1,5	53,5	29,5	7	19	84804161006	DKO 10 L - DN 10	*)
06	1/4"	12 L	18x1,5	50,5	28	4	22	84804181204	DKO 12 L - DN 06	*)
08	5/16"	12 L	18x1,5	51	28	5,5	22	84804181205	DKO 12 L - DN 08	*)
10	3/8"	12 L	18x1,5	52,5	29,5	7	22	84804181206	DKO 12 L - DN 10	*)
10	3/8"	15 L	22x1,5	57	29,5	7	27	84804221506	DKO 15 L - DN 10	*)
12	1/2"	15 L	22x1,5	58,5	29,5	9,5	27	84804221508	DKO 15 L - DN 12	*)
12	1/2"	18 L	16x1,5	58,6	29,5	9,5	32	84804261808	DKO 18 L - DN 12	*)
16	5/8"	18 L	26x1,5	64,4	34	12	32	84804261810	DKO 18 L - DN 16	*)
20	3/4"	22 L	30x2	71,5	39	15	46	84804302212	DKO 22 L - DN 20	*)
25	1"	28 L	36x2	80,5	47	19	41	84804362816	DKO 28 L - DN 25	*)
32	1 1/4"	35 L	45x2	95	54,5	26	50	84804453520	DKO 35 L - DN 32	*)
40	1 1/2"	42 L	52x2	111,5	58	32	60	84804524224	DKO 42 L - DN 40	*)
06	1/4"	8 S	16x1,5	53	28	4	19	84804160804	DKO 08 S - DN 06	*)
06	1/4"	10 S	18x1,5	54	28	4	22	84804181004	DKO 10 S - DN 06	*)
08	5/16"	12 S	20x1,5	61	28	5,5	24	84804201205	DKO 12 S - DN 08	*)
10	3/8"	12 S	20x1,5	52,5	29,5	7	24	84804201206	DKO 12 S - DN 10	*)
10	3/8"	14 S	22x1,5	62,5	29,5	7	27	84804221406	DKO 14 S - DN 10	*)
12	1/2"	16 S	24x1,5	64,5	29,5	9,5	30	84804241608	DKO 16 S - DN 12	*)
12	1/2"	20 S	30x2	71	29,5	9,5	36	84804302008	DKO 20 S - DN 12	*)
16	5/8"	20 S	30x2	71	34	12	36	84804302010	DKO 20 S - DN 16	*)
20	3/4"	20 S	30x2	82	39	15	36	84804302012	DKO 20 S - DN 20	*)
20	3/4"	25 S	36x2	82	39	15	46	84804362512	DKO 25 S - DN 20	*)
25	1"	25 S	36x2	92,6	47	19	50	84804362516	DKO 25 S - DN 25	*)
25	1"	30 S	42x2	97	47	19	50	84804423016	DKO 30 S - DN 25	*)
32	1 1/4"	38 S	52x2	105	54,5	26	60	84804523820	DKO 38 S - DN 32	*)

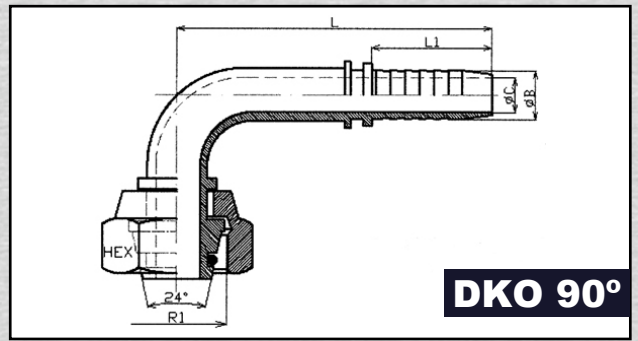
\*) Bitte Preisliste anfordern!  
\*) Please, request price list!

## Dichtkegel

mit Überwurfmutter und O-Ring  
 DIN 20078 ND 90° Bogen  
 DKOL 90° / DKOS 90°

### 90° Swivel Female

Metric 24° Cone  
 with o-ring



Schlauch Hose		Schlauch Hose	Gewinde Thread	Maßzahlen Dimensions				Artikel Article	Bestell-Nummer Order-No.	Preis Price
DN	inch	MET.	R1	L	L1	C	HEX		DKO 90°	€
06	1/4"	8 L	14x1,5	66	28	4	17	84305140804	DKO 08 L - DN 06	*)
08	5/16"	10 L	16x1,5	66	28	5,5	19	84305161005	DKO 10 L - DN 08	*)
10	3/8"	10 L	16x1,5	69	29,5	7	19	84305161006	DKO 10 L - DN 10	*)
10	3/8"	12 L	18x1,5	69	29,5	7	22	84305181206	DKO 12 L - DN 10	*)
12	1/2"	15 L	22x1,5	69	29,5	9,5	27	84305221508	DKO 15 L - DN 12	*)
16	5/8"	18 L	26x1,5	83	34	12,5	32	84305261810	DKO 18 L - DN 16	*)
20	3/4"	22 L	30x2	104	39	15	36	84305302212	DKO 22 L - DN 20	*)
25	1"	28 L	36x2	124	47	19	41	84305362816	DKO 28 L - DN 25	*)
32	1 1/4"	35 L	45x2	196	54,5	26	50	84305453520	DKO 35 L - DN 32	*)
40	1 1/2"	42 L	52x2	230	58	32	60	84305524224	DKO 42 L - DN 40	*)
06	1/4"	6 S	14x1,5	69	28	4	17	84305140604	DKO 06 S - DN 06	*)
06	1/4"	8 S	16x1,5	66	28	4	19	84305160804	DKO 08 S - DN 06	*)
06	1/4"	10 S	18x1,5	66	28	5,5	22	84305181004	DKO 10 S - DN 06	*)
08	5/16"	12 S	20x1,5	66	28	5,5	24	84305201205	DKO 12 S - DN 08	*)
10	3/8"	12 S	20x1,5	69	29,5	7	24	84305201206	DKO 12 S - DN 10	*)
10	3/8"	14 S	22x1,5	69	29,5	7	27	84305221406	DKO 14 S - DN 10	*)
12	1/2"	16 S	24x1,5	71	29,5	9,5	30	84305241608	DKO 16 S - DN 12	*)
16	5/8"	20 S	30x2	98	34	12,5	36	84305302010	DKO 20 S - DN 16	*)
20	3/4"	25 S	36x2	102	39	15	46	84305362512	DKO 25 S - DN 20	*)
25	1"	30 S	42x2	115	47	19	50	84305423016	DKO 30 S - DN 25	*)
32	1 1/4"	38 S	52x2	146	54,5	26	60	84305523820	DKO 38 S - DN 32	*)

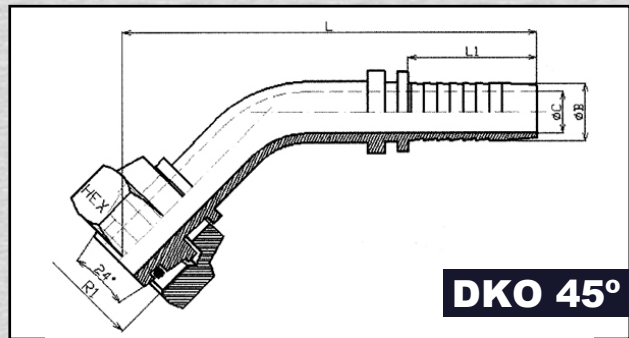
\*) Bitte Preisliste anfordern!  
 \*) Please, request price list!

## Dichtkegel

mit Überwurfmutter und O-Ring  
DIN 20078 NP 45° Bogen  
DKOL 45° / DKOS 45°

### 45° Swivel Female

Metric 24° Cone  
with o-ring



Schlauch Hose		Schlauch Hose MET.	Gewinde Thread R1	Maßzahlen Dimensions				Artikel Article	Bestell-Nummer Order-No. DKO 45°	Preis Price €
DN	inch			L	L1	C	HEX			
06	1/4"	8 L	14x1,5	69	28	4	17	84306140804	DKO 08 L - DN 06	*)
08	5/16"	10 L	16x1,5	69	28	5,5	19	84306161005	DKO 10 L - DN 08	*)
10	3/8"	10 L	16x1,5	69	29,5	7	19	84306161006	DKO 10 L - DN 10	*)
10	3/8"	12 L	18x1,5	87	29,5	7	22	84306181206	DKO 12 L - DN 10	*)
12	1/2"	15 L	22x1,5	89	29,5	9,5	27	84306221508	DKO 15 L - DN 12	*)
16	5/8"	18 L	26x1,5	120	34	12,5	32	84306261810	DKO 18 L - DN 16	*)
20	3/4"	22 L	30x2	137	39	15	36	84306302212	DKO 22 L - DN 20	*)
25	1"	28 L	36x2	158	47	19	41	84306362816	DKO 28 L - DN 25	*)
32	1 1/4"	35 L	45x2	194	54,5	26	50	84306453520	DKO 35 L - DN 32	*)
40	1 1/2"	42 L	52x2	230	58	32	60	84306524224	DKO 42 L - DN 40	*)
06	1/4"	6 S	14x1,5	69	28	4	17	84306140604	DKO 06 S - DN 06	*)
06	1/4"	8 S	16x1,5	69	28	4	19	84306160804	DKO 08 S - DN 06	*)
06	1/4"	10 S	18x1,5	69	28	5,5	22	84306181004	DKO 10 S - DN 06	*)
08	5/16"	12 S	20x1,5	87	28	5,5	24	84306201205	DKO 12 S - DN 08	*)
10	3/8"	12 S	20x1,5	89	29,5	7	24	84306201206	DKO 12 S - DN 10	*)
10	3/8"	14 S	22x1,5	94	29,5	7	27	84306221408	DKO 14 S - DN 10	*)
12	1/2"	16 S	24x1,5	94	29,5	9,5	30	84306241608	DKO 16 S - DN 12	*)
16	5/8"	20 S	30x2	132	34	12,5	36	84306302010	DKO 20 S - DN 16	*)
20	3/4"	25 S	36x2	135	39	15	46	84306362512	DKO 25 S - DN 20	*)
25	1"	30 S	42x2	158	47	19	50	84306423016	DKO 30 S - DN 25	*)
32	1 1/4"	38 S	52x2	232	54,5	26	60	84306523820	DKO 38 S - DN 32	*)

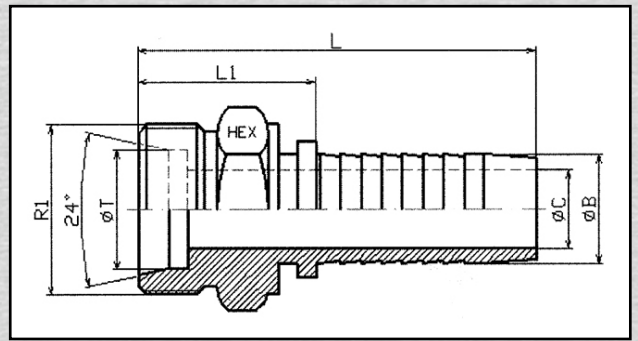
\*) Bitte Preisliste anfordern!  
\*) Please, request price list!

## Außengewindenippel

L/S DIN 20078  
D/E CEL/CES

### Metric Male

24° Cone



Schlauch Hose DN	Hose inch	Schlauch Hose T	Gewinde Thread R1	Maßzahlen Dimensions			Artikel Article	Bestell-Nummer Order-No.	Preis Price €	
				L	L1	C				
06	1/4"	6 L	12x1,5	49,5	21,5	4	14	84203120604	CE 06 L - DN 06	*)
06	1/4"	8 L	14x1,5	49	21	4	17	84203140804	CE 08 L - DN 06	*)
06	1/4"	10 L	16x1,5	52	24	4	17	84203161004	CE 10 L - DN 06	*)
08	5/16"	10 L	16x1,5	50	22	5,5	17	84203161005	CE 10 L - DN 08	*)
10	3/8"	10 L	16x1,5	54	24,5	7	17	84203161006	CE 10 L - DN 10	*)
06	1/4"	12 L	18x1,5	51	23	4	19	84203181204	CE 12 L - DN 06	*)
08	5/16"	12 L	18x1,5	51,5	23,5	5,5	19	84203181205	CE 12 L - DN 08	*)
10	3/8"	12 L	18x1,5	53	23,5	7	19	84203181206	CE 12 L - DN 10	*)
12	3/8"	15 L	22x1,5	54	24,5	7	24	84203221506	CE 15 L - DN 10	*)
12	1/2"	15 L	22x1,5	54,5	25	9,5	24	84203221508	CE 15 L - DN 12	*)
12	1/2"	18 L	26x1,5	56,5	27	9,5	27	84203261808	CE 18 L - DN 12	*)
16	5/8"	18 L	26x1,5	61,3	27,3	12	27	84203261810	CE 18 L - DN 16	*)
20	3/4"	22 L	30x2	69	28,5	15	32	84203302212	CE 22 L - DN 20	*)
25	1"	28 L	36x2	77,5	30,5	19	41	84203362816	CE 28 L - DN 25	*)
32	1 1/4"	35 L	45x2	91	36,5	26	46	84203453520	CE 35 L - DN 32	*)
40	1 1/2"	42 L	52x2	96,5	37,5	32	55	84203524224	CE 42 L - DN 40	*)
06	1/4"	8 S	16x1,5	53	25	4	17	84203160804	CE 08 S - DN 06	*)
06	1/4"	10 S	18x1,5	54	26	4	19	84203181004	CE 10 S - DN 06	*)
08	5/16"	10 S	18x1,5	54,5	26,5	5,5	19	84203181005	CE 10 S - DN 08	*)
10	3/8"	10 S	18x1,5	56	26,5	7	19	84203181006	CE 10 S - DN 10	*)
08	5/16"	12 S	20x1,5	56,5	28,5	5,5	22	84203201205	CE 12 S - DN 08	*)
10	3/8"	12 S	20x1,5	58	28,5	7	22	84203201206	CE 12 S - DN 10	*)
10	3/8"	14 S	22x1,5	60	30,5	7	24	84203221406	CE 14 S - DN 10	*)
12	1/2"	14 S	22x1,5	60,5	31	9,5	24	84203221408	CE 14 S - DN 12	*)
12	1/2"	16 S	24x1,5	60,5	31	9,5	27	84203241608	CE 16 S - DN 12	*)
16	5/8"	20 S	30x2	69,3	35,3	12	32	84203302010	CE 20 S - DN 16	*)
20	3/4"	20 S	30x2	76	37	15	32	84203302012	CE 20 S - DN 20	*)
20	3/4"	25 S	36x2	80	39,5	15	41	84203362512	CE 25 S - DN 20	*)
25	1"	25 S	36x2	88,5	41,5	19	41	84203362516	CE 25 S - DN 25	*)
25	1"	30 S	42x2	90	43	19	46	84203423016	CE 30 S - DN 25	*)
32	1 1/4"	38 S	52x2	100,5	46	26	55	84203523820	CE 38 S - DN 32	*)

\*) Bitte Preisliste anfordern!  
\*) Please, request price list!

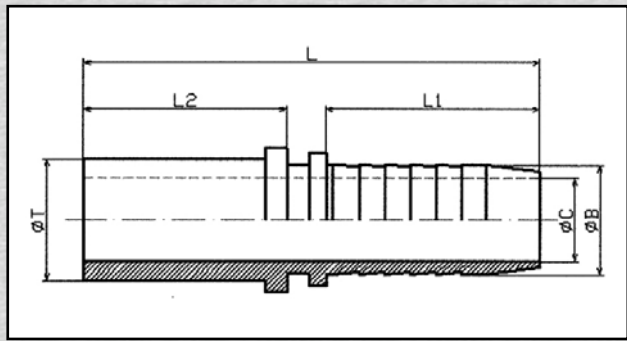


## Rohrstutzen

RSL / RSS

### Straight Standpipe

for DIN 2353



Schlauch Hose		Schlauch Hose T	Maßzahlen Dimensions				Artikel Article	Bestell-Nummer Order-No.	Preis Price €
DN	inch		L	L1	L2	C			
05	3/16"	6 L	52	24	24	3	841580603	BE 06 L - DN 05	*)
06	1/4"	6 L	57,5	28	25	4	841580604	BE 06 L - DN 06	*)
05	3/16"	8 L	52	24	24	3	841580803	BE 08 L - DN 05	*)
06	1/4"	8 L	57,5	28	25	4	841580804	BE 08 L - DN 06	*)
08	5/16"	8 L	60	28	27	5,5	841580805	BE 08 L - DN 08	*)
10	3/8"	8 L	61	29,5	26,5	7	841580806	BE 08 L - DN 10	*)
08	5/16"	10 L	60	28	27	5,5	841581005	BE 10 L - DN 08	*)
10	3/8"	10 L	61	29,5	26,5	7	841581006	BE 10 L - DN 10	*)
10	3/8"	12 L	61	29,5	26,5	7	841581206	BE 12 L - DN 10	*)
12	1/2"	12 L	63	29,5	28	9,5	841581208	BE 12 L - DN 12	*)
10	3/8"	15 L	62	29,5	27,5	7	841581506	BE 15 L - DN 10	*)
12	1/2"	15 L	65	29,5	30	9,5	841581508	BE 15 L - DN 12	*)
12	1/2"	18 L	65,5	29,5	30,5	9,5	841581808	BE 18 L - DN 12	*)
16	5/8"	18 L	69,8	34	30	12	841581810	BE 18 L - DN 16	*)
20	3/4"	18 L	76	39	30	15	841581812	BE 18 L - DN 20	*)
16	5/8"	22 L	72,8	34	33	12	841582210	BE 22 L - DN 16	*)
20	3/4"	22 L	83	39	37	15	841582212	BE 22 L - DN 20	*)
25	1"	28 L	93	47	39	19	841582816	BE 28 L - DN 25	*)
32	1 1/4"	35 L	110	54,5	47	26	841583520	BE 35 L - DN 32	*)
40	1 1/2"	42 L	112,5	58	46	32	841584224	BE 42 L - DN 40	*)
06	1/4"	10 S	60,5	28	28	4	841581004	BE 10 S - DN 06	*)
06	1/4"	12 S	59	28	26,5	4	841581204	BE 12 S - DN 06	*)
08	5/16"	12 S	59	28	26	5,5	841581205	BE 12 S - DN 08	*)
10	3/8"	14 S	67,5	29,5	33	7	841581406	BE 14 S - DN 10	*)
12	1/2"	14 S	68	29,5	33	9,5	841581408	BE 14 S - DN 12	*)
12	1/2"	16 S	70	29,5	35	9,5	841581608	BE 16 S - DN 12	*)
12	1/2"	20 S	74,5	29,5	39,5	9,5	841582008	BE 20 S - DN 12	*)
16	5/8"	20 S	77,5	34	37,7	12	841582010	BE 20 S - DN 16	*)
20	3/4"	20 S	86	39	40	15	841582012	BE 20 S - DN 20	*)
20	3/4"	25 S	90,3	39	44,3	15	841582512	BE 25 S - DN 20	*)
25	1"	25 S	93	47	39	19	841582516	BE 25 S - DN 25	*)
25	1"	30 S	95	47	41	19	841583016	BE 30 S - DN 25	*)
32	1 1/4"	38 S	110	54,5	47	26	841583820	BE 38 S - DN 32	*)

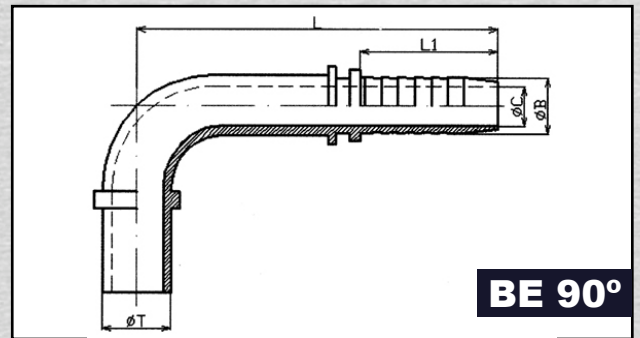
\*) Bitte Preisliste anfordern!  
\*) Please, request price list!



## Rohrstutzen 90°

RS 90°

### 90° Metric Straight Standpipe



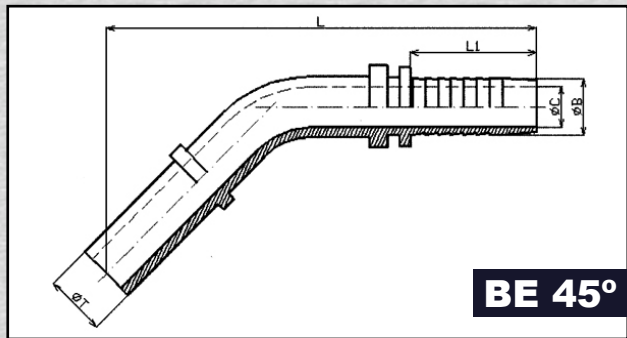
Schlauch Hose DN	Schlauch Hose inch	Schlauch Hose T	Maßzahlen Dimensions			Artikel Article	Bestell-Nummer Order-No.	Preis Price €
			L	L1	C		BE 90°	
05	3/16"	6 L	54	24	3	842580603	BE 06 L - DN 05	*)
06	1/4"	6 L	58,5	28	4	842580604	BE 06 L - DN 06	*)
05	3/16"	8 L	54	24	3	842580803	BE 08 L - DN 05	*)
06	1/4"	8 L	58,5	28	4	842580804	BE 08 L - DN 06	*)
08	5/16"	8 L	60,5	28	5,5	842580805	BE 08 L - DN 08	*)
08	5/16"	10 L	62,5	28	5,5	842581005	BE 10 L - DN 08	*)
10	3/8"	10 L	64,5	29,5	7	842581006	BE 10 L - DN 10	*)
06	1/4"	12 L	63,5	28	4	842581204	BE 12 L - DN 06	*)
10	3/8"	12 L	67,5	29,5	7	842581206	BE 12 L - DN 10	*)
10	3/8"	15 L	76,5	29,5	7	842581506	BE 15 L - DN 10	*)
12	1/2"	15 L	77	29,5	9,5	842581508	BE 15 L - DN 12	*)
12	1/2"	18 L	79	29,5	9,5	842581808	BE 18 L - DN 12	*)
16	5/8"	18 L	85	34	12,5	842581810	BE 18 L - DN 16	*)
16	5/8"	22 L	96	34	12,5	842582210	BE 22 L - DN 16	*)
20	3/4"	22 L	101	39	15	842582212	BE 22 L - DN 20	*)
25	1	28 L	114	47	19	842582816	BE 28 L - DN 25	*)
32	1 1/4"	35 L	132	54,5	26	842583520	BE 35 L - DN 32	*)
40	1 1/2"	42 L	156	58	32	842584224	BE 42 L - DN 40	*)
06	1/4"	10 S	58,5	28	4	842581004	BE 10 S - DN 06	*)
08	5/16"	12 S	64,5	28	5,5	842581205	BE 12 S - DN 08	*)
10	3/8"	14 S	68,5	29,5	7	842581406	BE 14 S - DN 10	*)
12	1/2"	14 S	69	29,5	9,5	842581408	BE 14 S - DN 12	*)
12	1/2"	16 S	79	29,5	9,5	842581608	BE 16 S - DN 12	*)
16	5/8"	20 S	89	34	12,5	842582010	BE 20 S - DN 16	*)
20	3/4"	20 S	95	39	15	842582012	BE 20 S - DN 20	*)
20	3/4"	25 S	103	39	15	842582512	BE 25 S - DN 20	*)
25	1	30 S	114	47	19	842583016	BE 30 S - DN 25	*)
32	1 1/4"	38 S	132	54,5	26	842583820	BE 38 S - DN 32	*)

\*) Bitte Preisliste anfordern!  
\*) Please, request price list!

## Rohrstutzen 45°

RS 45°

### 45° Metric Straight Standpipe



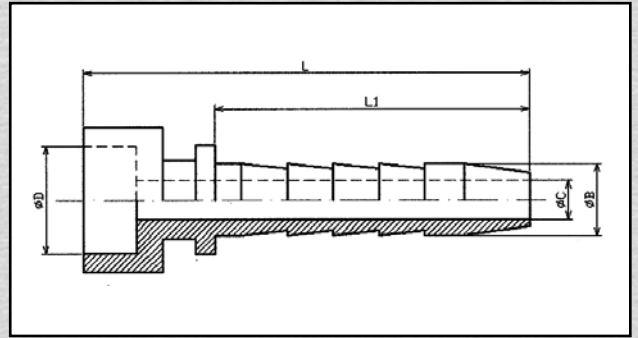
Schlauch Hose		Schlauch Hose	Maßzahlen Dimensions			Artikel Article	Bestell-Nummer Order-No.	Preis Price
DN	inch	T	L	L1	C		BE 45°	€
05	3/16"	6 L	54,5	24	3	843580603	BE 06 L - DN 05	*)
06	1/4"	6 L	58,5	28	4	843580604	BE 06 L - DN 06	*)
06	1/4"	8 L	58,5	28	4	843580804	BE 08 L - DN 06	*)
08	5/16"	10 L	60,5	28	5,5	843581005	BE 10 L - DN 08	*)
10	3/8"	10 L	62,5	29,5	7	843581006	BE 10 L - DN 10	*)
10	3/8"	12 L	67,5	29,5	7	843581206	BE 12 L - DN 10	*)
12	1/2"	15 L	77	29,5	9,5	843581508	BE 15 L - DN 12	*)
16	5/8"	18 L	85	34	12,5	843581810	BE 18 L - DN 16	*)
20	3/4"	22 L	101	39	15	843582212	BE 22 L - DN 20	*)
25	1	28 L	120	47	19	843582816	BE 28 L - DN 25	*)
32	1 1/4"	35 L	137	54,5	26	843583520	BE 35 L - DN 32	*)
32	1 1/2"	42 L	161	58	32	843584224	BE 42 L - DN 40	*)
06	1/4"	10 S	58,5	28	4	843581004	BE 10 S - DN 06	*)
08	5/16"	12 S	60,5	28	5,5	843581205	BE 12 S - DN 08	*)
10	3/8"	14 S	68,5	29,5	7	843581406	BE 14 S - DN 10	*)
12	1/2"	14 S	69	29,5	9,5	843581408	BE 14 S - DN 12	*)
12	1/2"	16 S	79	29,5	9,5	843581608	BE 16 S - DN 12	*)
16	5/8"	20 S	90	34	12,5	843582010	BE 20 S - DN 16	*)
20	3/4"	20 S	94	39	15	843582012	BE 20 S - DN 20	*)
20	3/4"	25 S	97	39	15	843582512	BE 25 S - DN 20	*)
25	1"	30 S	137	47	19	843583016	BE 30 S - DN 25	*)
32	1 1/4"	38 S	161	54,5	26	843583820	BE 38 S - DN 32	*)

\*) Bitte Preisliste anfordern!

\*) Please, request price list!

## Schweiß Rohrstutzen

### Swaging Standpipe Welding Female



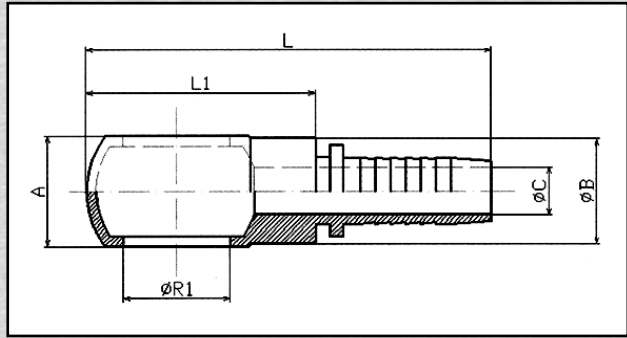
Schlauch Hose		Maßzahlen Dimensions				Artikel Article	Bestell-Nummer Order-No.	Preis Price €
DN	inch	L	L1	C	D			
05	3/16"	34	24	3	8,2	84000300	ES - DN 05	*)
06	1/4"	38,5	28	4	8,3	84000400	ES - DN 06	*)
08	5/16"	40,5	28	5,5	12,3	84000500	ES - DN 08	*)
10	3/8"	42,5	29,5	6	12,3	84000600	ES - DN 10	*)
12	1/2"	43	29,5	9,5	14,3	84000800	ES - DN 12	*)
20	3/4"	54	39	15	20,3	840001200	ES - DN 20	*)
25	1"	63	47	19	25,3	840001600	ES - DN 25	*)
32	1 1/4"	76	54,5	26	30,3	840002000	ES - DN 32	*)
40	1 1/2"	81	58	32	34,3	840002400	ES - DN 40	*)
50	2"	92	72	44	48,5	840003200	ES - DN 50	*)

\*) Bitte Preisliste anfordern!  
\*) Please, request price list!

## Ringauge BSP

RN-BSP

**BSP Banjo**

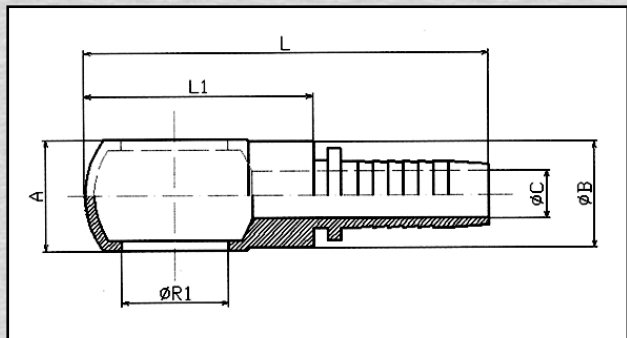


Schlauch Hose		Gewinde Thread	Maßzahlen Dimensions				Artikel Article	Bestell-Nummer Order-No.	Preis Price
DN	inch	R1	L	L1	A	C		€	
06	1/4"	1/4"	63,5	33,5	14	4	841110404	RN 1.4 - DN 06	*)
08	5/16"	3/8"	67	34	19	5,5	841110605	RN 3.8 - DN 08	*)
10	3/8"	3/8"	72,5	38	17	7	841110606	RN 3.8 - DN 10	*)
10	3/8"	1/2"	80	45	23,5	7	841110806	RN 1.2 - DN 10	*)
12	1/2"	1/2"	80,5	45,5	22	9,5	841110808	RN 1.2 - DN 12	*)
20	3/4"	3/4"	99,86	53,86	29	15	841111212	RN 3.4 - DN 20	*)
25	1"	1"	126,5	72,5	38	19	841111616	RN 1.1 - DN 25	*)

## Ringauge metrisch

nach DIN 7642  
RN

**Metric Banjo**



Schlauch Hose		Gewinde Thread	Maßzahlen Dimensions				Artikel Article	Bestell-Nummer Order-No.	Preis Price
DN	inch	R1	L	L1	A	C		€	
06	1/4"	12x1,5	57	27	13	4	841161204	RN 12 - DN 06	*)
06	1/4"	14x1,5	63,5	33	14	4	841161404	RN 14 - DN 06	*)
10	3/8"	14x1,5	72,5	38	16	7	841161406	RN 14 - DN 10	*)
08	5/16"	16x1,5	66,5	34	18	5,5	841161605	RN 16 - DN 08	*)
10	3/8"	16x1,5	72,5	38	17	7	841161606	RN 16 - DN 10	*)
12	1/2"	18x1,5	80,5	45,5	22	9,5	841161808	RN 18 - DN 12	*)
12	1/2"	22x1,5	80,5	45,5	25	9,5	841162208	RN 22 - DN 12	*)
20	3/4"	26x1,5	91,5	45,5	22	15	841162612	RN 26 - DN 20	*)
20	3/4"	30x1,5	116	71	30	15	841163012	RN 30 - DN 20	*)

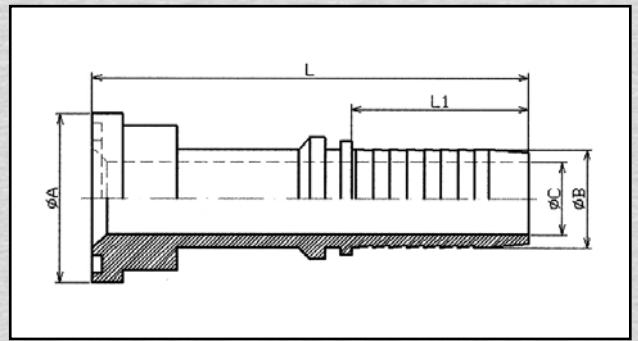
\*) Bitte Preisliste anfordern!  
\*) Please, request price list!

## SAE Flansch 3000 PSI

DIN 20078  
SFL

### SAE Straight Flange

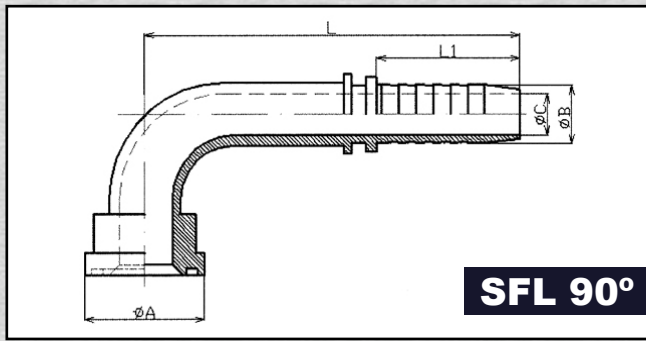
Serie 3000 PSI



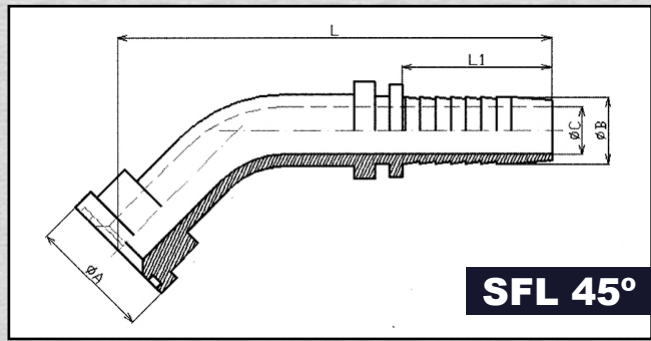
Schlauch Hose		Flanschbund Flange DN	Maßzahlen Dimensions				Artikel Article	Bestell-Nummer Order-No.	Preis Price €
DN	inch		L	L1	A	C			
12	1/2"	1/2"	75,5	29,5	30	9,5	841820808	SFL 30.2 - DN 12	*)
12	1/2"	3/4"	81,8	29,5	38	9,5	841821208	SFL 38.1 - DN 12	*)
16	5/8"	3/4"	92,8	34	38	12	841821210	SFL 38.1 - DN 16	*)
20	3/4"	3/4"	99	39	38	15	841821212	SFL 38.1 - DN 20	*)
20	3/4"	1"	107,6	39	44,5	15	841821612	SFL 44.5 - DN 20	*)
25	1"	1"	115,6	47	44,5	19	841821616	SFL 44.5 - DN 25	*)
25	1"	1 1/4"	117	47	51	19	841822016	SFL 50.8 - DN 25	*)
32	1 1/4"	1 1/4"	126	54,5	51	26	841822020	SFL 50.8 - DN 32	*)
32	1 1/4"	1 1/2"	129,5	54,5	60	26	841822420	SFL 60.3 - DN 32	*)
40	1 1/2"	1 1/2"	133	58	60	32	841822424	SFL 60.3 - DN 40	*)
50	2"	2"	151,6	72	71,4	44	841823232	SFL 71.4 - DN 50	*)

\*) Bitte Preisliste anfordern!  
\*) Please, request price list!





**SFL 90°**



**SFL 45°**

Schlauch Hose		Flanschbund Flange DN	L	Maßzahlen Dimensions			Artikel Article	Bestell-Nummer Order-No. SFL 90°	Preis Price €
DN	inch			L1	A	C			
12	1/2"	1/2"	69	29,5	30	9,5	841830808	SFL 30.2 - DN 12	*)
16	5/8"	3/4"	97	34	38	12,5	841831210	SFL 38.1 - DN 16	*)
20	3/4"	3/4"	102	39	38	15	841831212	SFL 38.1 - DN 20	*)
25	1"	1"	115	47	44,5	19	841831616	SFL 44.5 - DN 25	*)
32	1 1/4"	1 1/4"	146	54,5	51	26	841832020	SFL 50.8 - DN 32	*)
40	1 1/2"	1 1/2"	171	58	60	32	841832424	SFL 60.3 - DN 40	*)
50	2"	2"	200	72	71,5	44	841833232	SFL 71.4 - DN 50	*)

Schlauch Hose		Flanschbund Flange DN	L	Maßzahlen Dimensions			Artikel Article	Bestell-Nummer Order-No. SFL 45°	Preis Price €
DN	inch			L1	A	C			
12	1/2"	1/2"	89	29,5	30	9,5	841840808	SFL 30.2 - DN 12	*)
16	5/8"	3/4"	120	34	38	12,5	841841210	SFL 38.1 - DN 16	*)
20	3/4"	3/4"	128	39	38	15	841841212	SFL 38.1 - DN 20	*)
25	1"	1"	160	47	44,5	19	841841616	SFL 44.5 - DN 25	*)
32	1 1/4"	1 1/4"	196	54,5	51	26	841842020	SFL 50.8 - DN 32	*)
40	1 1/2"	1 1/2"	234	58	60	32	841842424	SFL 60.3 - DN 40	*)
50	2"	2"	290	72	71,5	44	841843232	SFL 71.4 - DN 50	*)

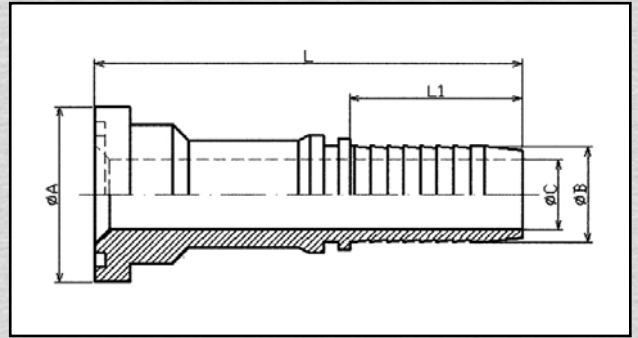
\*) Bitte Preisliste anfordern!  
\*) Please, request price list!

## SAE Flansch 6000 PSI

DIN 20078 S  
SFS

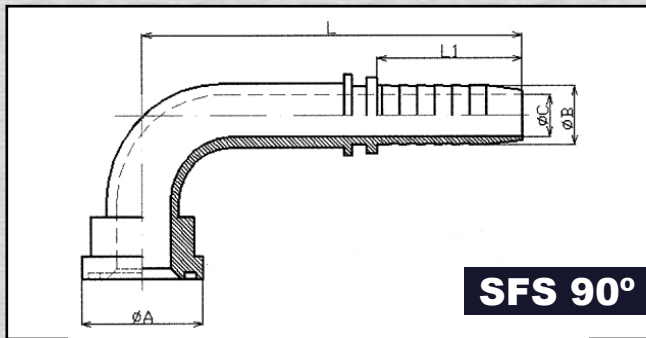
### SAE Straight Flange

Serie 6000 PSI

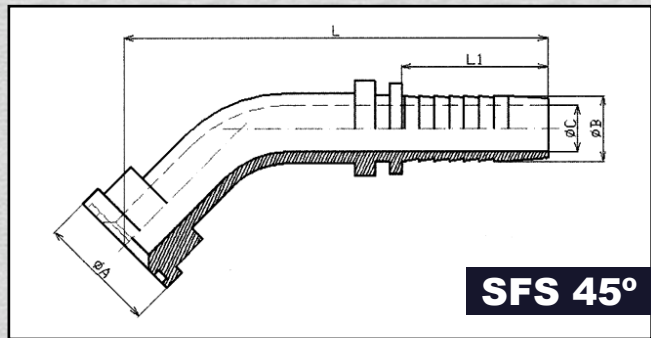


Schlauch Hose		Flanschbund Flange DN	L	Maßzahlen Dimensions			Artikel Article	Bestell-Nummer Order-No.	Preis Price €
DN	inch			L1	A	C			
12	1/2"	1/2"	81	29,5	32	9,5	842820808	SFS 31.8 - DN 12	*)
12	1/2"	3/4"	85,5	29,5	41	9,5	842821208	SFS 41.3 - DN 12	*)
20	3/4"	3/4"	104,5	39	41	15	842821212	SFS 41.3 - DN 20	*)
20	3/4"	1"	108,3	39	47,5	15	842821612	SFS 47.6 - DN 20	*)
25	1"	1"	116,3	47	47,5	19	842821616	SFS 47.6 - DN 25	*)
25	1"	1 1/4"	129	47	54	19	842822016	SFS 54.0 - DN 25	*)
32	1 1/4"	1 1/4"	138	54,5	54	26	842822020	SFS 54.0 - DN 32	*)
32	1 1/4"	1 1/2"	146,5	54,5	63,5	26	842822420	SFS 63.5 - DN 32	*)
40	1 1/2"	1 1/2"	150,5	58	63,5	32	842822424	SFS 63.5 - DN 40	*)
40	1 1/2"	2"	156,5	58	79,5	32	842823224	SFS 79.4 - DN 40	*)
50	2"	2"	173,4	72	79,5	44	842823232	SFS 79.4 - DN 50	*)

\*) Bitte Preisliste anfordern!  
\*) Please, request price list!



**SFS 90°**



**SFS 45°**

Schlauch Hose		Flanschbund Flange DN	L	Maßzahlen Dimensions			Artikel Article	Bestell-Nummer Order-No. SFS 90°	Preis Price €
DN	inch			L1	A	C			
12	1/2"	1/2"	69	29,5	32	9,5	842830808	SFS 31.8 - DN 12	*)
16	5/8"	3/4"	97	34	41	12,5	842831210	SFS 41.3 - DN 16	*)
20	3/4"	3/4"	102	39	41	15	842831212	SFS 41.3 - DN 20	*)
25	1"	1"	115	47	47,5	19	842831616	SFS 47.6 - DN 25	*)
32	1 1/4"	1 1/4"	146	54,5	54	26	842832020	SFS 54.0 - DN 32	*)

Schlauch Hose		Flanschbund Flange DN	L	Maßzahlen Dimensions			Artikel Article	Bestell-Nummer Order-No. SFS 45°	Preis Price €
DN	inch			L1	A	C			
12	1/2"	1/2"	89	29,5	32	9,5	842840808	SFS 31.8 - DN 12	*)
16	5/8"	3/4"	120	34	41	12,5	842841210	SFS 41.3 - DN 16	*)
20	3/4"	3/4"	128	39	41	15	842841212	SFS 41.3 - DN 20	*)
25	1"	1"	160	47	47,5	19	842841616	SFS 47.6 - DN 25	*)
32	1 1/4"	1 1/4"	196	54,5	54	26	842842020	SFS 54.0 - DN 32	*)

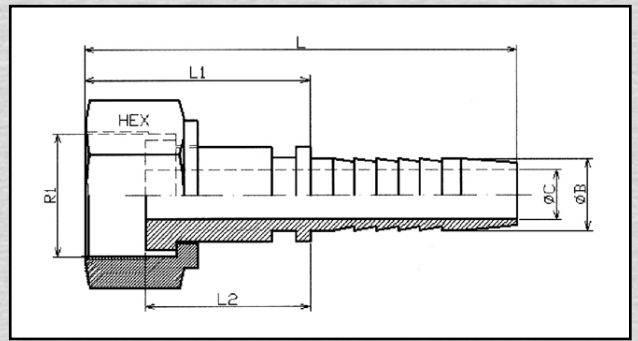
\*) Bitte Preisliste anfordern!  
\*) Please, request price list!

## Dichtkopf – flachdichtend

ORFS

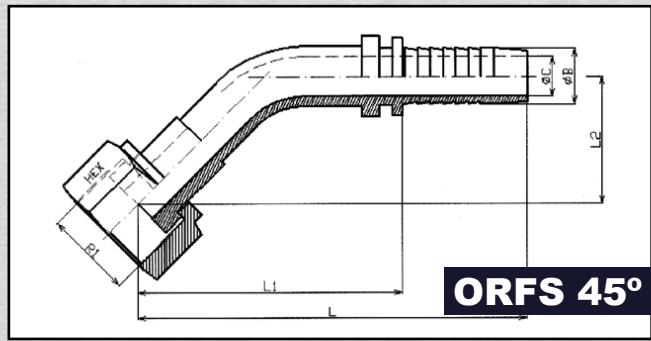
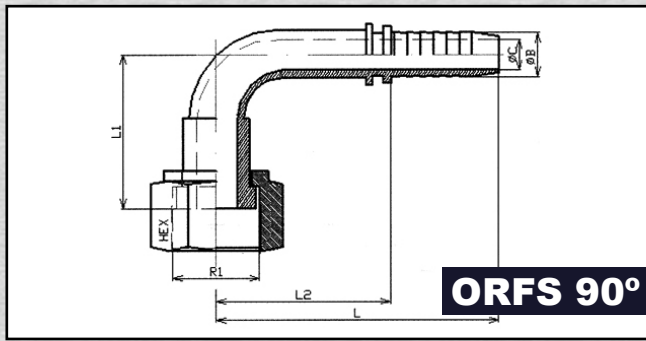
### Straight Swivel Female flat seat

ORFS



Schlauch Hose		Gewinde Thread		Maßzahlen Dimensions					Artikel Article	Bestell-Nummer Order-No.	Preis Price
DN	inch	R1		L	L1	L2	C	HEX		€	
06	1/4"	9/16"	18h UNF	57,5	29,5	21,5	4	17	849000904	ORFS 9/16 - DN 06	*)
06	1/4"	11/16"	16h UNF	60	32	23,5	4	22	849001104	ORFS 11/16 - DN 06	*)
08	5/16"	11/16"	16h UNF	60	32	23,5	5,5	22	849001105	ORFS 11/16 - DN 08	*)
10	3/8"	11/16"	16h UNF	61,5	32	23,5	7	22	849001106	ORFS 11/16 - DN 10	*)
10	3/8"	13/16"	16h UNF	66	36,5	26,5	7	24	849001306	ORFS 13/16 - DN 10	*)
12	1/2"	13/16"	16h UNF	67	37,5	27,5	9,5	24	849001308	ORFS 13/16 - DN 12	*)
12	1/2"	1"	14h UNF	73,5	44	31,5	9,5	30	849001608	ORFS 1 - DN 12	*)
16	5/8"	1"	14h UNF	78	44	31,5	12,5	30	849001610	ORFS 1 - DN 16	*)
12	1/2"	1 3/16"	12h UNF	79	49,5	36	9,5	36	849001908	ORFS 1 3/16 - DN 12	*)
20	3/4"	1 3/16"	12h UNF	88	49	35,5	15	36	849001912	ORFS 1 3/16 - DN 20	*)
20	3/4"	1 7/16"	12h UNF	91	52	38,5	15	41	849002312	ORFS 1 7/16 - DN 20	*)
25	1"	1 7/16"	12h UNF	97	50	36,5	19,5	41	849002316	ORFS 1 7/16 - DN 25	*)
32	1 1/4"	1 11/16"	12h UNF	106	51,5	38	26	50	849002720	ORFS 1 11/16 - DN 32	*)
40	1 1/2"	2"	12h UNF	109,5	51,5	38	32	50	849003224	ORFS 1 1/2 - DN 40	*)

\*) Bitte Preisliste anfordern!  
\*) Please, request price list!



Schlauch Hose		Gewinde Thread		Maßzahlen Dimensions					Artikel Article	Bestell-Nummer Order-No.		Preis Price
DN	inch	R1		L	L1	L2	C	HEX		ORFS 90°		
06	1/4"	9/16"	18h UNF	56	25	28	4	17	849070904	ORFS 9/16 - DN 06	*)	
06	1/4"	11/16"	16h UNF	56,5	26	28,5	4	22	849071104	ORFS 11/16 - DN 06	*)	
08	5/16"	11/16"	16h UNF	58	28	30	5,5	22	849071105	ORFS 11/16 - DN 08	*)	
10	3/8"	11/16"	16h UNF	63	32,5	33,5	7	22	849071106	ORFS 11/16 - DN 10	*)	
10	3/8"	13/16"	16h UNF	63	33,5	33,5	7	24	849071306	ORFS 13/16 - DN 10	*)	
12	1/2"	13/16"	16h UNF	71	39	41,5	9,5	24	849071308	ORFS 13/16 - DN 12	*)	
16	5/8"	1"	14h UNF	86	50	52	12,5	30	849071610	ORFS 1 - DN 16	*)	
20	3/4"	1 3/16"	12h UNF	99,5	55,5	60,5	15	36	849071912	ORFS 1 3/16 - DN 20	*)	
20	3/4"	1 7/16"	12h UNF	101	57	62	15	41	849072312	ORFS 1 7/16 - DN 20	*)	
25	1"	1 7/16"	12h UNF	129	62	82	19,5	41	849072316	ORFS 1 7/16 - DN 25	*)	
32	1 1/4"	1 11/16"	12h UNF	150,5	76	96	26	50	849072720	ORFS 1 11/16 - DN 32	*)	
40	1 1/2"	2"	12h UNF	175,5	86	117,5	32	50	849073224	ORFS 1 1/2 - DN 40	*)	

Schlauch Hose		Gewinde Thread		Maßzahlen Dimensions					Artikel Article	Bestell-Nummer Order-No.		Preis Price
DN	inch	R1		L	L1	L2	C	HEX		ORFS 45°		
06	1/4"	9/16"	18h UNF	61	33	12	4	17	849080904	ORFS 9/16 - DN 06	*)	
06	1/4"	11/16"	16h UNF	62	34	13	4	22	849081104	ORFS 11/16 - DN 06	*)	
08	5/16"	11/16"	16h UNF	66,5	38,5	15	5,5	22	849081105	ORFS 11/16 - DN 08	*)	
10	3/8"	11/16"	16h UNF	68,5	39	15,5	7	22	849081106	ORFS 11/16 - DN 10	*)	
10	3/8"	13/16"	16h UNF	69,5	40	17	7	24	849081306	ORFS 13/16 - DN 10	*)	
12	1/2"	13/16"	16h UNF	77	47,5	19,5	9,5	24	849081308	ORFS 13/16 - DN 12	*)	
16	5/8"	1"	14h UNF	92	58	24	12,5	30	849081610	ORFS 1 - DN 16	*)	
20	3/4"	1 3/16"	12h UNF	105	66	24	15	36	849081912	ORFS 1 3/16 - DN 20	*)	
20	1"	1 7/16"	12h UNF	130	83	28,5	19,5	41	849082316	ORFS 1 7/16 - DN 20	*)	
25	1 1/4"	1 11/16"	12h UNF	155	100,5	33,4	26	50	849082720	ORFS 1 7/16 - DN 25	*)	
32	1 1/2"	2"	12h UNF	177	119	36	32	50	849083224	ORFS 1 11/16 - DN 32	*)	

\*) Bitte Preisliste anfordern!  
\*) Please, request price list!

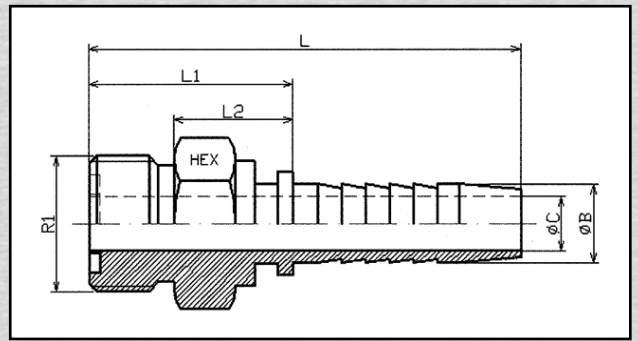


## Außengewindenippel

ORFS

**Male**

ORFS



Schlauch Hose		Gewinde Thread		Maßzahlen Dimensions					Artikel Article	Bestell-Nummer Order-No.	Preis Price
DN	inch	R1		L	L1	L2	C	HEX		Order-No.	€
06	1/4"	9/16"	18h UNF	52,5	24,5	14,5	4	17	<b>849120904</b>	<b>ORFS 9/16 - DN 06</b>	*)
08	5/16"	11/16"	16h UN	54	26	15	5,5	19	<b>849121105</b>	<b>ORFS 11/16 - DN 08</b>	*)
10	3/8"	11/16"	16h UN	56	26,5	15,5	6,5	19	<b>849121106</b>	<b>ORFS 11/16 - DN 10</b>	*)
12	1/2"	13/16"	16h UN	60	30,5	17,5	9,5	22	<b>849121308</b>	<b>ORFS 13/16 - DN 12</b>	*)
16	5/8"	1"	14h UNS	68	34	18,5	12,5	27	<b>849121610</b>	<b>ORFS 1 - DN 16</b>	*)
20	3/4"	1 3/16"	12h UN	78	39	22	15	32	<b>849121912</b>	<b>ORFS 1 3/16 - DN 20</b>	*)
25	1"	1 7/16"	12h UN	90,5	43,5	26	19,5	41	<b>849122316</b>	<b>ORFS 1 7/16 - DN 25</b>	*)
32	1 1/4"	1 11/16"	12h UN	101,5	57	29,5	26	46	<b>849122720</b>	<b>ORFS 1 11/16 - DN 32</b>	*)
40	1 1/2"	2"	12h UN	109	51	33,5	32	55	<b>849123224</b>	<b>ORFS 2 - DN 40</b>	*)

\*) Bitte Preisliste anfordern!

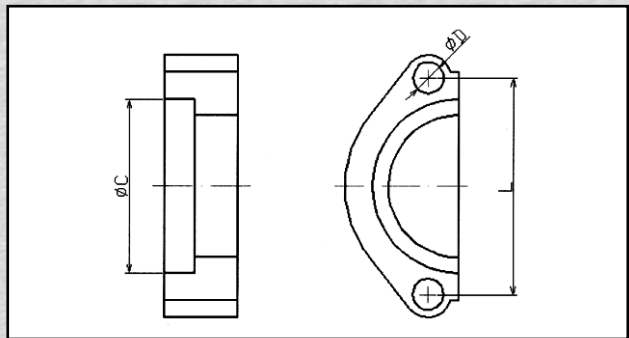
\*) Please, request price list!

## SAE Flanschhälften

3000 PSI  
HFL

### Cut Flange

Serie 3000 PSI



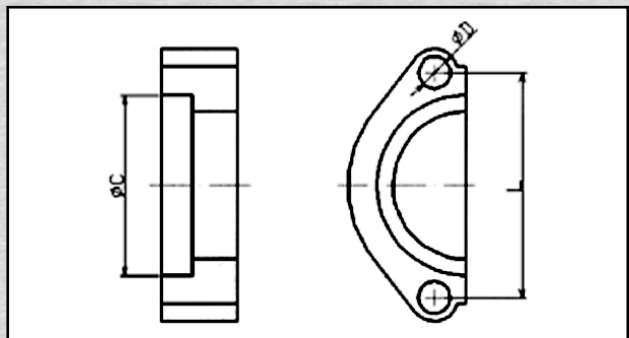
Schlauch Hose		Maßzahlen Dimensions			Artikel Article	Bestell-Nummer Order-No.	Preis Price €
DN	inch	L	C	D			
12	1/2"	38	30	9	<b>AFX301</b>	<b>HFL 3 - DN 12</b>	*)
20	3/4"	47	38	10,5	<b>AFX302</b>	<b>HFL 3 - DN 20</b>	*)
25	1"	52	44,5	10,5	<b>AFX303</b>	<b>HFL 3 - DN 25</b>	*)
32	1 1/4"	59	51,8	12	<b>AFX304</b>	<b>HFL 3 - DN 32</b>	*)
40	1 1/2"	70	60	13,5	<b>AFX305</b>	<b>HFL 3 - DN 40</b>	*)
50	2"	77	71,5	13,5	<b>AFX306</b>	<b>HFL 3 - DN 50</b>	*)

## SAE Flanschhälften

6000 PSI  
HFL

### Cut Flange

Serie 6000 PSI



Schlauch Hose		Maßzahlen Dimensions			Artikel Article	Bestell-Nummer Order-No.	Preis Price €
DN	inch	L	C	D			
12	1/2"	40,5	32	9	<b>AFX601</b>	<b>HFL 6 - DN 12</b>	*)
20	3/4"	51	41	11	<b>AFX602</b>	<b>HFL 6 - DN 20</b>	*)
25	1"	57	47,5	13	<b>AFX603</b>	<b>HFL 6 - DN 25</b>	*)
32	1 1/4"	66	54	15	<b>AFX604</b>	<b>HFL 6 - DN 32</b>	*)
40	1 1/2"	79,5	63,5	17	<b>AFX605</b>	<b>HFL 6 - DN 40</b>	*)
50	2"	97	79,4	21	<b>AFX606</b>	<b>HFL 6 - DN 50</b>	*)

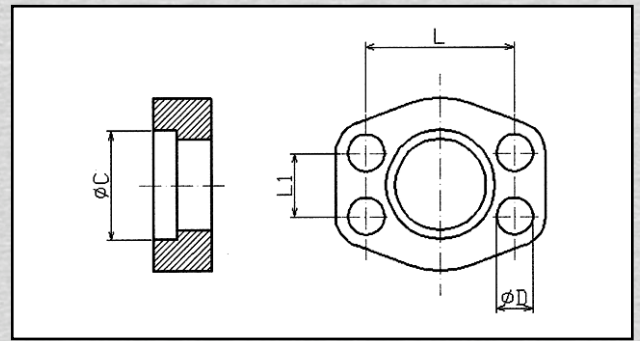
\*) Bitte Preisliste anfordern!  
\*) Please, request price list!

## SAE Vollflansch

4 Loch 3000 PSI  
VFL

### Flange

Serie 3000 PSI



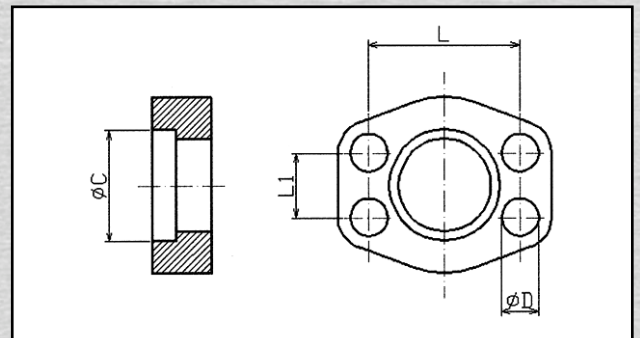
Schlauch Hose		Maßzahlen Dimensions				Artikel Article	Bestell-Nummer Order-No.	Preis Price €
DN	inch	L	L1	C	D			
12	1/2"	38,1	17,5	30,9	9	AFXI301	VFL 3 - DN 12	*)
20	3/4"	47,6	22,2	38,9	11	AFXI302	VFL 3 - DN 20	*)
25	1"	52,4	26,2	45,2	11	AFXI303	VFL 3 - DN 25	*)
32	1 1/4"	58,7	30,2	51,6	12	AFXI304	VFL 3 - DN 32	*)
40	1 1/2"	69,9	35,7	61,1	13,5	AFXI305	VFL 3 - DN 40	*)
50	2"	77,8	42,9	72,2	13,5	AFXI306	VFL 3 - DN 50	*)

## SAE Vollflansch

4 Loch 6000 PSI  
VFL

### Flange

Serie 6000 PSI



Schlauch Hose		Maßzahlen Dimensions				Artikel Article	Bestell-Nummer Order-No.	Preis Price €
DN	inch	L	L1	C	D			
12	1/2"	40,5	18,3	32,5	9	AFXI601	VFL 6 - DN 12	*)
20	3/4"	50,8	23,8	42	11	AFXI602	VFL 6 - DN 20	*)
25	1"	57,2	27,8	48,4	13	AFXI603	VFL 6 - DN 25	*)
32	1 1/4"	66,7	31,8	54,8	15	AFXI604	VFL 6 - DN 32	*)
40	1 1/2"	79,4	36,5	64,3	17	AFXI605	VFL 6 - DN 40	*)
50	2"	96,8	44,5	80,1	21	AFXI606	VFL 6 - DN 50	*)

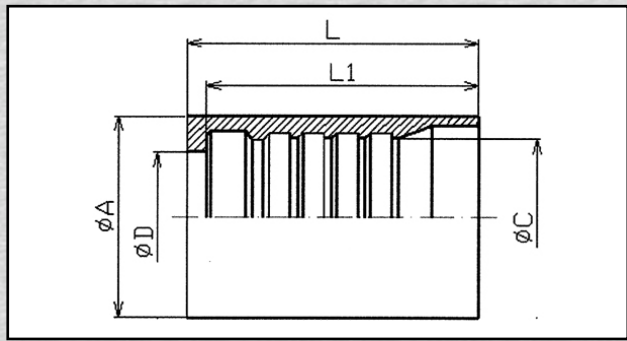
\*) Bitte Preisliste anfordern!  
\*) Please, request price list!

## Preßfassungen

für DIN 20023 4SH  
R13 / R15 Interlock

### Ferrule for Hose

DIN 20023 4SH  
R13 / R15 Interlock



Rohr Pipe		Schlauch Hose R1	Maßzahlen Dimensions					Artikel Article	Bestell-Nummer Order-No.	Preis Price €
DN	inch		L	L1	A	C	D			
20	3/4"	4SH/R13/R15	62	59	40	30	23,4	<b>ZA610101200</b>	<b>PFI 4SH/R13/15 - DN 20</b>	*)
25	1"	4SH/R13/R15	75	71	47	37,5	29,7	<b>ZA610101600</b>	<b>PFI 4SH/R13/15 - DN 25</b>	*)
32	1 1/4"	4SH	82	76,5	56	44	36,5	<b>ZA610102000</b>	<b>PFI 4SH - DN 32</b>	*)
40	1 1/2"	4SH	93	87,5	63	50,3	43	<b>ZA610102400</b>	<b>PFI 4SH - DN 40</b>	*)
50	2"	4SH	100	93	80	65	56	<b>ZA610103200</b>	<b>PFI 4SH - DN 50</b>	*)
32	1 1/4"	R13/R15	82	76,5	61	49	36,5	<b>Z610102000</b>	<b>PFI R13/15 - DN 32</b>	*)
40	1 1/2"	R13/R15	93	87,5	70	56	43	<b>Z610102400</b>	<b>PFI R13/15 - DN 40</b>	*)
50	2"	R13/R15	100	93	85	70,8	56	<b>Z610103200</b>	<b>PFI R13/15 - DN 50</b>	*)

\*) Bitte Preisliste anfordern!

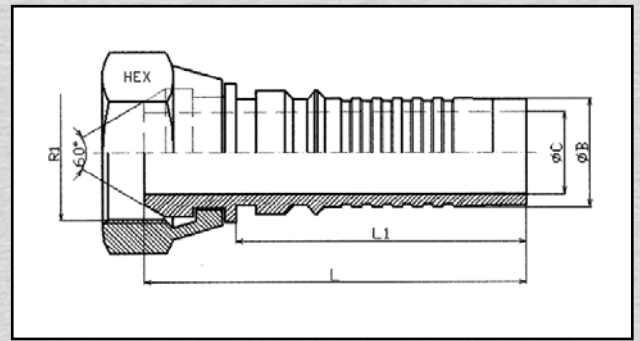
\*) Please, request price list!

## Dichtkopf

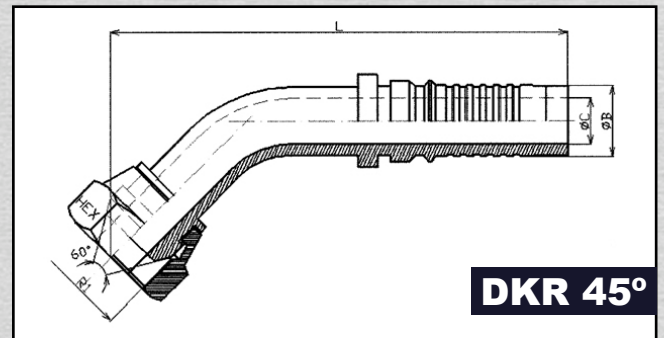
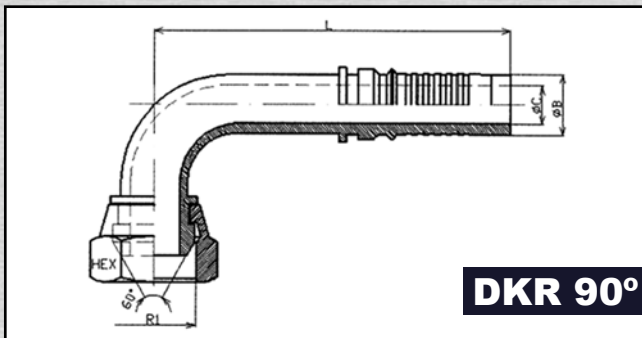
mit BSP Überwurfmutter 4SH  
DKR

## Swivel Female

BSP 60° Cone Interlock



Schlauch Hose		Gewinde Thread	Maßzahlen Dimensions			Artikel Article	Bestell-Nummer Order-No.	Preis Price	
DN	inch	Ø R1	L	L1	C	HEX		€	
20	3/4"	3/4"	83	66	14	32	Z641001212	DKR-IN 3.4 - DN 20	*)
25	1"	1"	99,5	78,5	19	41	Z641001616	DKR-IN 1.1 - DN 25	*)
32	1 1/4"	1 1/4"	108,5	86	25	50	Z641002020	DKR-IN 5.4 - DN 32	*)
40	1 1/2"	1 1/2"	122,5	98	32	55	Z641002424	DKR-IN 3.2 - DN 40	*)
50	2"	2"	141,5	111,5	40	65	Z641003232	DKR-IN 4.2 - DN 50	*)



Schlauch Hose		Gewinde Thread	Maßzahlen Dimensions			Artikel Article	Bestell-Nummer Order-No.	Preis Price
DN	inch	R1	L	C	HEX		DKR 90°	€
20	3/4"	3/4"	122	14	32	Z641071212	DKR-IN 3.4 - DN 20	*)
25	1"	1"	139,5	19	41	Z641071616	DKR-IN 1.1 - DN 25	*)
32	1 1/4"	1 1/4"	169	25	50	Z641072020	DKR-IN 5.4 - DN 32	*)
40	1 1/2"	1 1/2"	202,5	32	55	Z641072424	DKR-IN 3.2 - DN 40	*)
50	2"	2"	231,5	40	65	Z641073232	DKR-IN 4.2 - DN 50	*)

Schlauch Hose		Gewinde Thread	Maßzahlen Dimensions			Artikel Article	Bestell-Nummer Order-No.	Preis Price
DN	inch	R1	L	C	HEX		DKR 45°	€
20	3/4"	3/4"	148	14	32	Z641081212	DKR-IN 3.4 - DN 20	*)
25	1"	1"	184,5	19	41	Z641081616	DKR-IN 1.1 - DN 25	*)
32	1 1/4"	1 1/4"	219	25	50	Z641082020	DKR-IN 5.4 - DN 32	*)
40	1 1/2"	1 1/2"	265,5	32	55	Z641082424	DKR-IN 3.2 - DN 40	*)
50	2"	2"	321,5	40	65	Z641083232	DKR-IN 4.2 - DN 50	*)

\*) Bitte Preisliste anfordern!  
\*) Please, request price list!

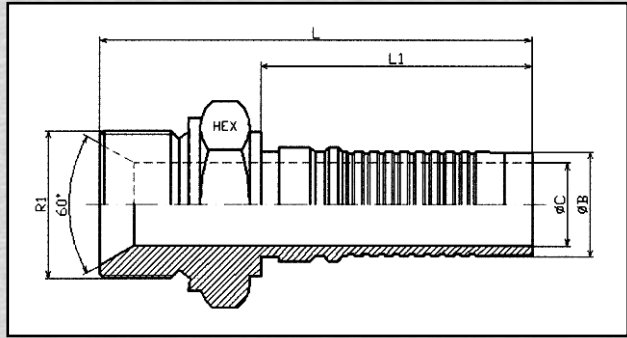


## Außengewindenippel

60° Konus für 4SH  
ARG

### BSP Male

60° Cone Interlock



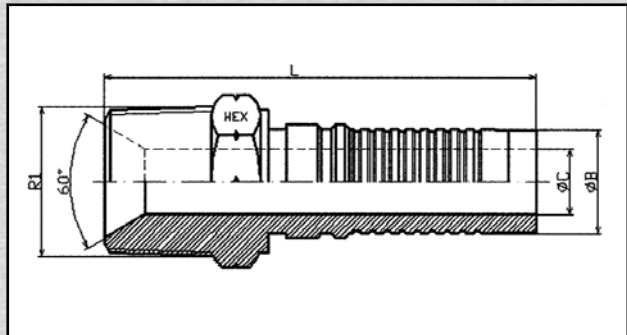
Schlauch Hose		Gewinde Thread Ø R1	Maßzahlen Dimensions				Artikel Article	Bestell-Nummer Order-No.	Preis Price €
DN	inch		L	L1	C	HEX			
20	3/4	3/4	95	66	14	32	Z641121212	AGR-IN 3.4 - DN 20	*)
25	1	1	113,5	78,5	19	41	Z641121616	AGR-IN 1.1 - DN 25	*)
32	1 1/4	1 1/4	123	86	25	50	Z641122020	AGR-IN 5.4 - DN 32	*)
40	1 1/2	1 1/2	137,5	98	32	55	Z641122424	AGR-IN 3.2 - DN 40	*)
50	2	2	156	111,5	40	65	Z641123232	AGR-IN 4.2 - DN 50	*)

## Außengewindenippel

NPT 4SH  
AGN

### NPT Male

Interlock



Schlauch Hose		Gewinde Thread R1	Maßzahlen Dimensions				Artikel Article	Bestell-Nummer Order-No.	Preis Price €
DN	inch		L	C	HEX				
20	3/4"	3/4" NPT	98	14	30	Z641611212	AGN-IN 3.4 - DN 20	*)	
25	1"	1" NPT	116	19	36	Z641611616	AGN-IN 1.1 - DN 25	*)	
32	1 1/4"	1 1/4" NPT	128	25	46	Z641612020	AGN-IN 5.4 - DN 32	*)	
40	1 1/2"	1 1/2" NPT	137	32	50	Z641612424	AGN-IN 3.2 - DN 40	*)	
50	2"	2" NPT	153,5	40	65	Z641613232	AGN-IN 4.2 - DN 50	*)	

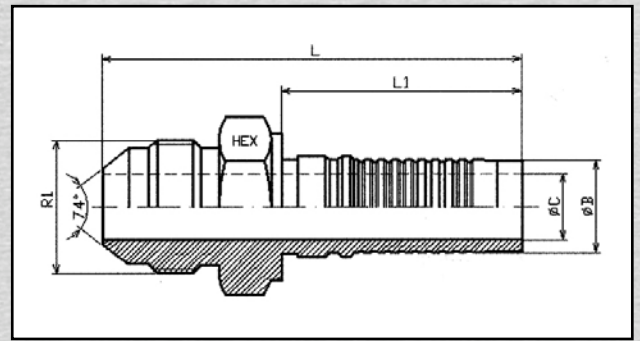
\*) Bitte Preisliste anfordern!  
\*) Please, request price list!

## Außengewindenippel

JIC, AGJ

### JIC Male

74° Cone Interlock



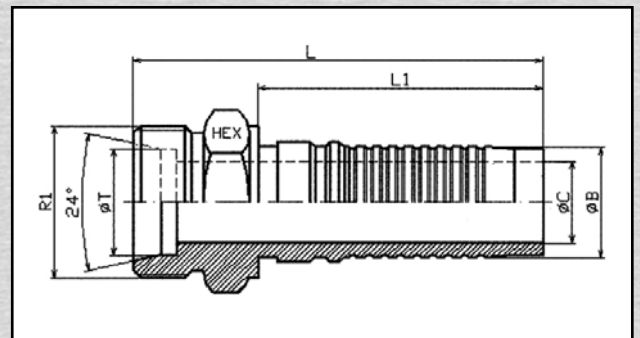
Schlauch Hose		Gewinde Thread		Maßzahlen Dimensions				Artikel Article	Bestell-Nummer Order-No.	Preis Price €
DN	inch	R1		L	L1	C	HEX			
20	3/4"	1 1/16"	12h	98	66	14	32	Z641401712	AGJ-IN 1 1/16 - DN 20	*)
25	1"	1 5/16"	12h	112	78,5	19	41	Z641402116	AGJ-IN 1 5/16 - DN 25	*)
32	1 1/4"	1 5/8"	12h	122,5	86	25	46	Z641402620	AGJ-IN 1 5/8 - DN 32	*)
40	1 1/2"	1 7/8"	12h	139	98	32	55	Z641403024	AGJ-IN 1 7/8 - DN 40	*)

## Außengewindenippel

DIN 20078 E 4SH  
CES

### Metric Male

24° Cone Interlock



Schlauch Hose		Schlauch Hose	Gewinde Thread	Maßzahlen Dimensions				Artikel Article	Bestell-Nummer Order-No.	Preis Price €
DN	inch	Ø T	R1	L	L1	C	HEX			
20	3/4"	20	30x2	95,5	66	14	32	Z64203302012	CES-IN 20 S - DN 20	*)
20	3/4"	25	36x2	99	66	14	41	Z64203362512	CES-IN 25 S - DN 20	*)
25	1"	30	42x2	114	78,5	19	46	Z64203423016	CES-IN 30 S - DN 25	*)
32	1 1/4"	38	52x2	124	86	25	55	Z64203523820	CES-IN 38 S - DN 32	*)

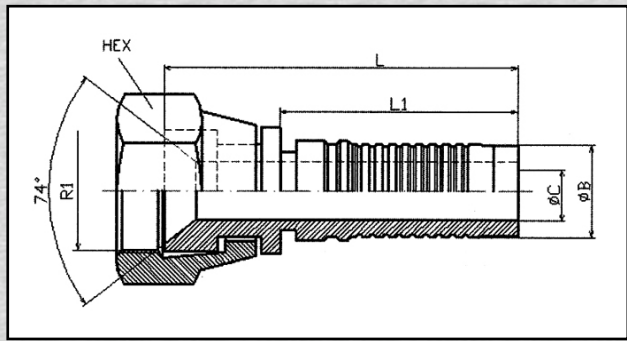
\*) Bitte Preisliste anfordern!  
\*) Please, request price list!

## JIC 74° Dichtkonus

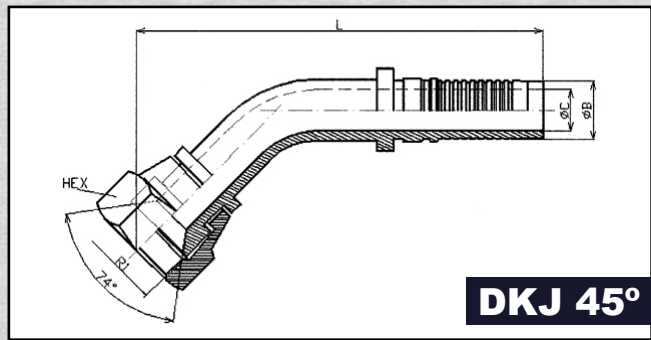
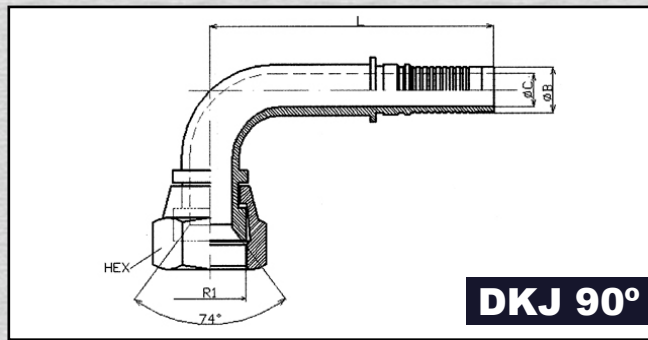
mit Überwurfmutter 4SH  
DKJ

### JIC Swivel Male

74° Cone Interlock



Schlauch Hose		Gewinde Thread		Maßzahlen Dimensions			Artikel Article	Bestell-Nummer Order-No.	Preis Price	
DN	inch	R1		L	L1	C	HEX		€	
20	3/4"	1 1/16"	12h	82	66	14	32	Z641421712	DKJ-IN 1 1/16 - DN 20	*)
25	1"	1 5/16"	12h	96	78,5	19	41	Z641422116	DKJ-IN 1 5/16 - DN 25	*)
32	1 1/4"	1 5/8"	12h	106	86	25	50	Z641422620	DKJ-IN 1 5/8 - DN 32	*)
40	1 1/2"	1 7/8"	12h	119,5	98	32	55	Z641423024	DKJ-IN 1 7/8 - DN 40	*)



Schlauch Hose		Gewinde Thread		Maßzahlen Dimensions			Artikel Article	Bestell-Nummer Order-No.	Preis Price
DN	inch	R1		L	C	HEX		€	
20	3/4"	1 1/16"	12h UNF	122	14	32	Z641381712	DKJ-IN 1 1/16 - DN 20	*)
25	1"	1 5/16"	12h UNF	139,5	19	41	Z641382116	DKJ-IN 1 5/16 - DN 25	*)
32	1 1/4"	1 5/8"	12h UNF	169	25	46	Z641382620	DKJ-IN 1 5/8 - DN 32	*)
40	1 1/2"	1 7/8"	12h UNF	202,5	32	55	Z641383024	DKJ-IN 1 7/8 - DN 40	*)
50	2"	2 1/2"	12h UNF	231,5	40	70	Z641384032	DKJ-IN 2 1/2 - DN 50	*)

Schlauch Hose		Gewinde Thread		Maßzahlen Dimensions			Artikel Article	Bestell-Nummer Order-No.	Preis Price
DN	inch	R1		L	C	HEX		€	
20	3/4"	1 1/16"	12h UNF	148	14	32	Z641391712	DKJ-IN 1 1/16 - DN 20	*)
25	1"	1 5/16"	12h UNF	184,5	19	41	Z641392116	DKJ-IN 1 5/16 - DN 25	*)
32	1 1/4"	1 5/8"	12h UNF	219	25	46	Z641392620	DKJ-IN 1 5/8 - DN 32	*)
40	1 1/2"	1 7/8"	12h UNF	265,5	32	55	Z641393024	DKJ-IN 1 7/8 - DN 40	*)
50	2"	2 1/2"	12h UNF	321,5	40	70	Z641394032	DKJ-IN 2 1/2 - DN 50	*)

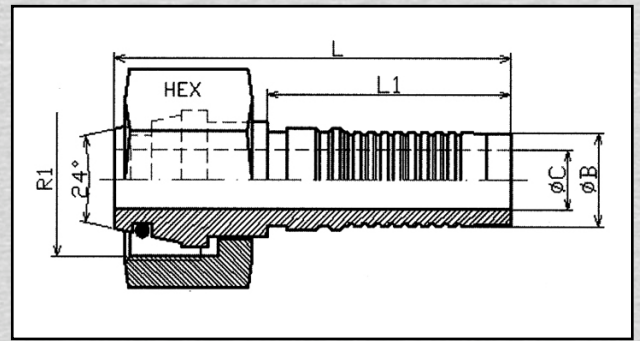
\*) Bitte Preisliste anfordern!  
\*) Please, request price list!

## Dichtkegel mit O-Ring

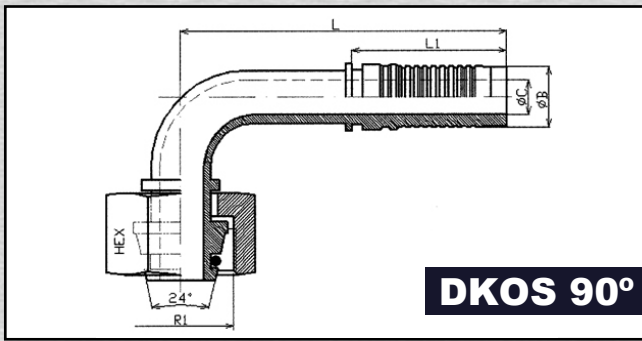
mit Überwurfmutter und O-Ring  
DIN 20078 P 4SH  
DKOS

### Swivel Female

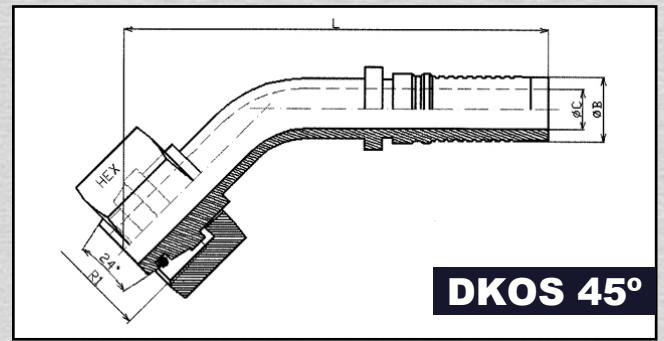
Metric 24° Cone o-ring  
Interlock



Schlauch Hose DN	Schlauch Hose inch	Schlauch Hose Ø T	Gewinde Thread R1	Maßzahlen Dimensions			HEX	Artikel Article	Bestell-Nummer Order-No.	Preis Price €
				L	L1	C				
20	3/4"	20	30x2	102	66	14	36	Z64204302012	DKOS-IN 20 S - DN 20	*)
20	3/4"	25	36x2	102	66	14	46	Z64204362512	DKOS-IN 25 S - DN 20	*)
25	1"	30	42x2	111,5	78,5	19	50	Z64204423016	DKOS-IN 30 S - DN 25	*)
32	1 1/4"	38	52x2	126	86	25	60	Z64204523820	DKOS-IN 38 S - DN 32	*)



**DKOS 90°**



**DKOS 45°**

Schlauch Hose DN	Schlauch Hose inch	Schlauch Hose Ø T	Gewinde Thread R1	Maßzahlen Dimensions			HEX	Artikel Article	Bestell-Nummer Order-No. DKOS 90°	Preis Price €
				L	C					
20	3/4"	20	30x2	122	14	36	Z64205302012	DKOS-IN 20 S - DN 20	*)	
20	3/4"	25	36x2	122	14	46	Z64205362512	DKOS-IN 25 S - DN 20	*)	
25	1"	30	42x2	139,5	19	50	Z64205423016	DKOS-IN 30 S - DN 25	*)	
32	1 1/4"	38	52x2	169	25	60	Z64205523820	DKOS-IN 38 S - DN 32	*)	

Schlauch Hose DN	Schlauch Hose inch	Schlauch Hose Ø T	Gewinde Thread R1	Maßzahlen Dimensions			HEX	Artikel Article	Bestell-Nummer Order-No. DKOS 45°	Preis Price €
				L	C					
20	3/4"	20	30x2	148	14	36	Z64206302012	DKOS-IN 20 S - DN 20	*)	
20	3/4"	25	36x2	152	14	46	Z64206352612	DKOS-IN 25 S - DN 20	*)	
25	1"	30	42x2	184,5	19	50	Z64206423016	DKOS-IN 30 S - DN 25	*)	
32	1 1/4"	38	52x2	219	25	60	Z64206523820	DKOS-IN 38 S - DN 32	*)	

\*) Bitte Preisliste anfordern!  
\*) Please, request price list!

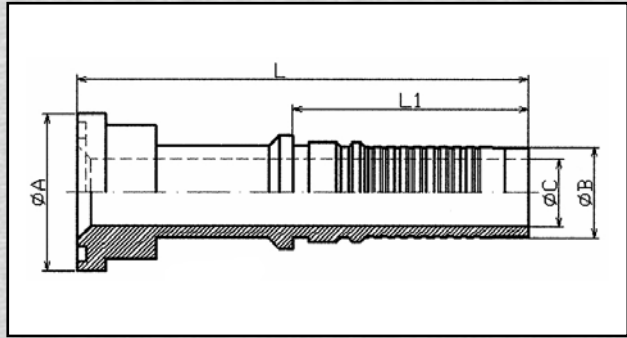


## SAE Flanschnippel

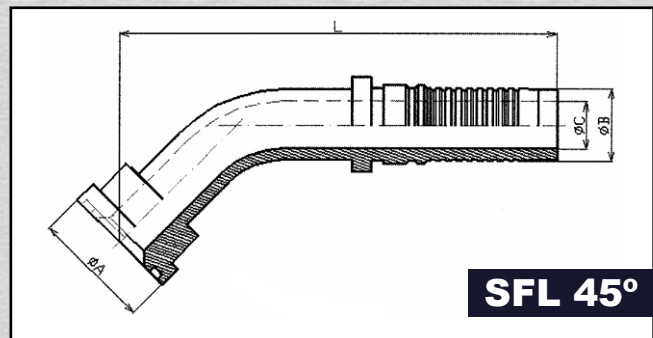
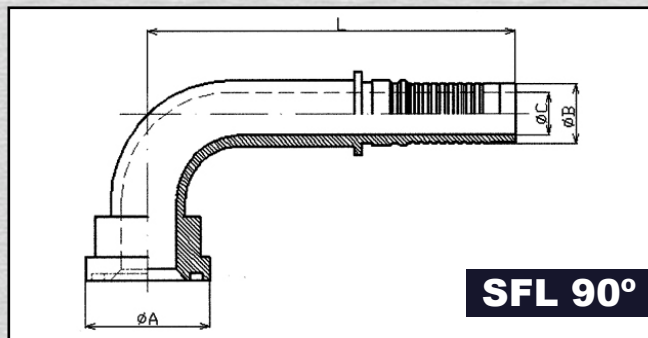
DIN 20078 R 4SH  
SFL

### SAE Straight Flange

Serie 3000 PSI  
Interlock



Schlauch Hose DN	inch	Flanschbund Flange DN	Maßzahlen Dimensions				Artikel Article	Bestell-Nummer Order-No.	Preis Price €
			L	L1	A	C			
20	3/4"	3/4"	116,5	66	38,1	14	Z641821212	SFL-IN 38.1 - DN 20	*)
25	1"	1"	134,8	78,5	44,5	19	Z641821616	SFL-IN 44.5 - DN 25	*)
32	1 1/4"	1 1/4"	152	86	50,8	25	Z641822020	SFL-IN 50.8 - DN 32	*)
40	1 1/2"	1 1/2"	170	98	60,3	32	Z641822424	SFL-IN 60.3 - DN 40	*)
50	2"	2"	183	111,5	71,4	40	Z641823232	SFL-IN 71.4 - DN 50	*)



Schlauch Hose DN	inch	Flanschbund Flange DN	Maßzahlen Dimensions			Artikel Article	Bestell-Nummer Order-No. SFL 90°	Preis Price €
			L	A	C			
20	3/4"	3/4"	122	38,1	14	Z641831212	SFL-IN 38.1 - DN 20	*)
20	3/4"	1"	130,5	44,5	14	Z641831612	SFL-IN 44.5 - DN 20	*)
25	1"	1"	139,5	44,5	19	Z641831616	SFL-IN 44.5 - DN 25	*)
25	1"	1 1/4"	139,5	50,8	19	Z641832016	SFL-IN 50.8 - DN 25	*)
32	1 1/4"	1 1/4"	169	50,8	25	Z641832020	SFL-IN 50.8 - DN 32	*)
32	1 1/4"	1 1/2"	199	60,3	25	Z641832420	SFL-IN 60.3 - DN 32	*)
40	1 1/2"	1 1/2"	202,5	60,3	32	Z641832424	SFL-IN 60.3 - DN 40	*)
40	1 1/2"	2"	218	71,4	32	Z641833224	SFL-IN 71.4 - DN 40	*)
50	2"	2"	231,5	71,4	40	Z641833232	SFL-IN 71.4 - DN 50	*)

Schlauch Hose DN	inch	Flanschbund Flange DN	Maßzahlen Dimensions			Artikel Article	Bestell-Nummer Order-No. SFL 45°	Preis Price €
			L	A	C			
20	3/4"	3/4"	148	38,1	14	Z641841212	SFL-IN 38.1 - DN 20	*)
20	3/4"	1"	175,5	44,5	14	Z641841612	SFL-IN 44.5 - DN 20	*)
25	1"	1"	184,5	44,5	19	Z641841616	SFL-IN 44.5 - DN 25	*)
25	1"	1 1/4"	184,5	50,8	19	Z641842016	SFL-IN 50.8 - DN 25	*)
32	1 1/4"	1 1/4"	219	50,8	25	Z641842020	SFL-IN 50.8 - DN 32	*)
32	1 1/4"	1 1/2"	262	60,3	25	Z641842420	SFL-IN 60.3 - DN 32	*)
40	1 1/2"	1 1/2"	265,5	60,3	32	Z641842424	SFL-IN 60.3 - DN 40	*)
40	1 1/2"	2"	308	71,4	32	Z641843224	SFL-IN 71.4 - DN 40	*)
50	2"	2"	321,5	71,4	40	Z641843232	SFL-IN 71.4 - DN 50	*)

\*) Bitte Preisliste anfordern!  
\*) Please, request price list!

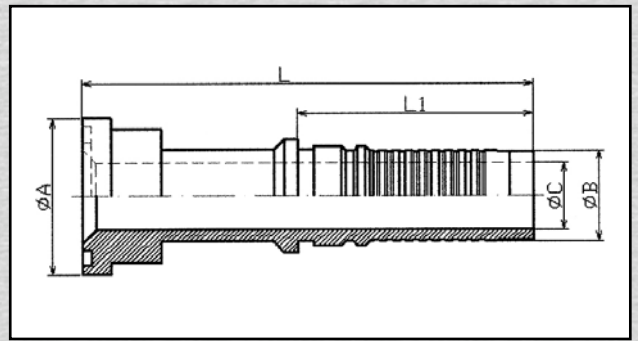


## SAE Flanschnippel

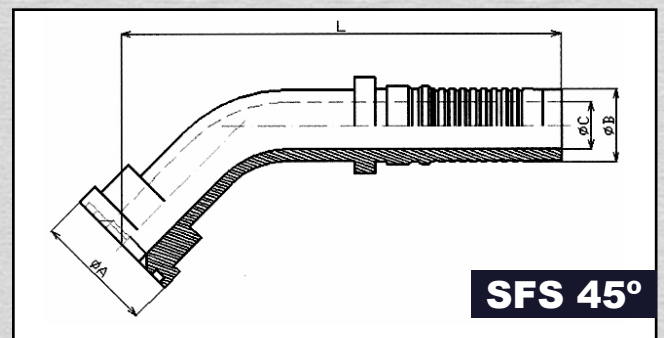
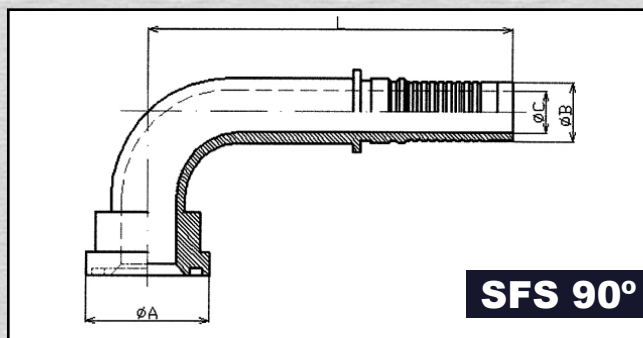
DIN 20078 S 4SH  
SFS

### SAE Straight Flange

Serie 6000 PSI  
Interlock



Schlauch Hose		Flanschbund Flange DN	Maßzahlen Dimensions				Artikel Article	Bestell-Nummer Order-No.	Preis Price €
DN	inch		L	L1	A	C			
20	3/4"	3/4"	124,75	66	41,3	14	Z642821212	SFS-IN 41.3 - DN 20	*)
25	1"	1"	134,8	78,5	47,6	19	Z642821616	SFS-IN 47.6 - DN 25	*)
32	1 1/4"	1 1/4"	166	86	54	25	Z642822020	SFS-IN 54.0 - DN 32	*)
40	1 1/2"	1 1/2"	183,5	98	63,5	32	Z642822424	SFS-IN 63.5 - DN 40	*)
50	2"	2"	201,5	111,5	79,4	40	Z642823232	SFS-IN 79.4 - DN 50	*)



Schlauch Hose		Flanschbund Flange DN	Maßzahlen Dimensions			Artikel Article	Bestell-Nummer Order-No. SFS 90°	Preis Price €
DN	inch		L	A	C			
20	3/4"	3/4"	122	41,3	14	Z642831212	SFS-IN 41.3 - DN 20	*)
20	3/4"	1"	130,5	47,6	14	Z642831612	SFS-IN 47.6 - DN 20	*)
25	1"	1"	139,5	47,6	19	Z642831616	SFS-IN 47.6 - DN 25	*)
25	1"	1 1/4"	139,5	54	19	Z642832016	SFS-IN 54.0 - DN 25	*)
32	1 1/4"	1 1/4"	169	54	25	Z642832020	SFS-IN 54.0 - DN 32	*)
32	1 1/4"	1 1/2"	199	63,5	25	Z642832420	SFS-IN 63.5 - DN 32	*)
40	1 1/2"	1 1/2"	202,5	63,5	32	Z642832424	SFS-IN 63.5 - DN 40	*)
40	1 1/2"	2"	218	79,4	32	Z642833224	SFS-IN 79.4 - DN 40	*)
50	2"	2"	231,5	79,4	40	Z642833232	SFS-IN 79.4 - DN 50	*)

Schlauch Hose		Flanschbund Flange DN	Maßzahlen Dimensions			Artikel Article	Bestell-Nummer Order-No. SFS 45°	Preis Price €
DN	inch		L	A	C			
20	3/4"	3/4"	148	41,3	14	Z642841212	SFS-IN 41.3 - DN 20	*)
20	3/4"	1"	175,5	47,6	14	Z642841612	SFS-IN 47.6 - DN 20	*)
25	1"	1"	184,5	47,6	19	Z642841616	SFS-IN 47.6 - DN 25	*)
25	1"	1 1/4"	184,5	54	19	Z642842016	SFS-IN 54.0 - DN 25	*)
32	1 1/4"	1 1/4"	219	54	25	Z642842020	SFS-IN 54.0 - DN 32	*)
32	1 1/4"	1 1/2"	262	63,5	25	Z642842420	SFS-IN 63.5 - DN 32	*)
40	1 1/2"	1 1/2"	265,5	63,5	32	Z642842424	SFS-IN 63.5 - DN 40	*)
40	1 1/2"	2"	308	79,4	32	Z642843224	SFS-IN 79.4 - DN 40	*)
50	2"	2"	321,5	79,4	40	Z642843232	SFS-IN 79.4 - DN 50	*)

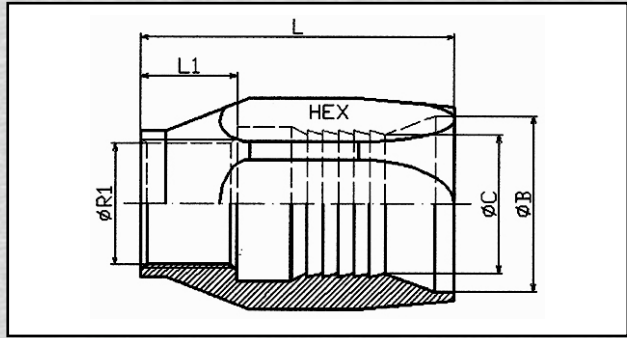
\*) Bitte Preisliste anfordern!  
\*) Please, request price list!

## Schraubfassung 1ST

nach EN 853 / DIN 20022, 1ST

### Reusable Ferrule 1ST

for hose SAE 100 R1A



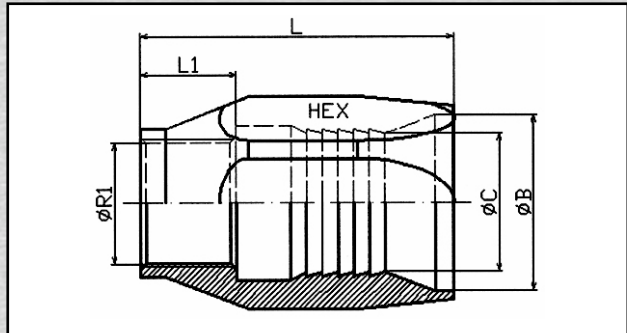
Schlauch Hose		Gewinde Thread		L	Maßzahlen Dimensions			Artikel Article	Bestell-Nummer Order-No.	Preis Price €
DN	inch	R1			L1	C	HEX			
06	1/4"	7/16"	UNF	41	11	14,1	22	Z1G-4 R1	Z1G - DN 06	*)
08	5/16"	1/2"	UNF	43	12	16	22	Z1G-5 R1	Z1G - DN 08	*)
10	3/8"	9/16"	UNF	45	10	18,5	24	Z1G-6 R1	Z1G - DN 10	*)
12	1/2"	5/8"	UNF	48	13	22,2	27	Z1G-8 R1	Z1G - DN 12	*)
16	5/8"	M18x1,5		55	14	19,5	27	Z1G-10 R1	Z1G - DN 16	*)
20	3/4"	M22x1,5		65	14	24	32	Z1G-12 R1	Z1G - DN 20	*)
25	1"	29.9	UNF	75	22	37,4	50	Z1G-16 R1	Z1G - DN 25	*)
32	1 1/4"	38,3	UNF	87	27	40	55	Z1G-20 R1	Z1G - DN 32	*)
40	1 1/2"	*)		*)	*)	*)	*)	Z1G-24 R1	Z1G - DN 40	*)

## Schraubfassung 2ST

nach EN 853 / DIN 20022, 2ST

### Reusable Ferrule 2ST

for hose SAE 100 R2A



Schlauch Hose		Gewinde Thread		L	Maßzahlen Dimensions			Artikel Article	Bestell-Nummer Order-No.	Preis Price €
DN	inch	R1			L1	C	HEX			
06	1/4"	7/16"	UNF	43	11,5	12	22	Z1G-4 R2	Z2G - DN 06	*)
08	5/16"	1/2"	UNF	43	10,5	14	22	Z1G-5 R2	Z2G - DN 08	*)
10	3/8"	9/16"	UNF	45	10	16	24	Z1G-6 R2	Z2G - DN 10	*)
12	1/2"	5/8"	UNF	49	10	18,5	27	Z1G-8 R2	Z2G - DN 12	*)
16	5/8"	M18x1,5		53	12,5	20,5	32	Z1G-10 R2	Z2G - DN 16	*)
20	3/4"	M22x1,5		65	15	25,7	36	Z1G-12 R2	Z2G - DN 20	*)
25	1"	29.9	UNF	75	23	33	46	Z1G-16 R2	Z2G - DN 25	*)
32	1 1/4"	38,3	UNF	87	28	42,5	60	Z1G-20 R2	Z2G - DN 32	*)
40	1 1/2"	*)		*)	*)	*)	*)	Z1G-24 R2	Z2G - DN 40	*)

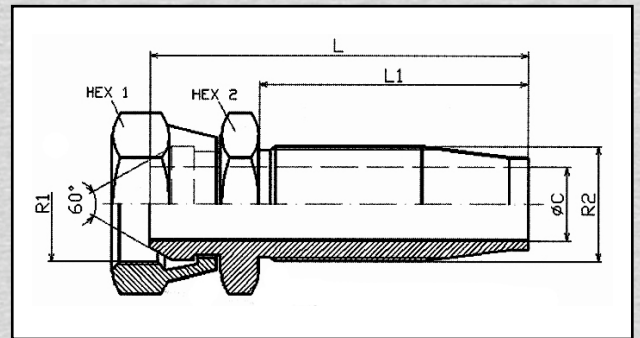
\*) Bitte Preisliste anfordern!  
\*) Please, request price list!

## Zölliger Dichtkopf DKR

mit BSP Überwurfmutter, Schraubarmatur

### BSP Swivel Female DKR

Cone 60°, Reusable



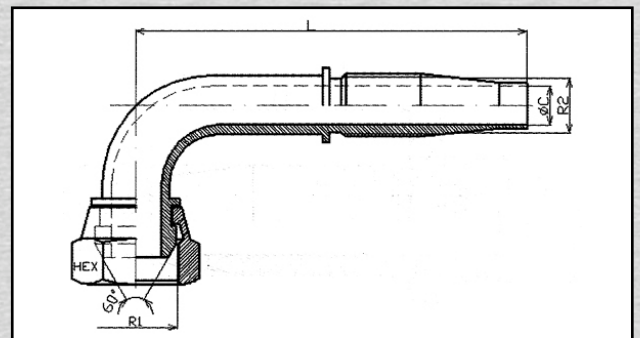
Schlauch Hose DN	Hose inch	Gewinde Thread R1	Gewinde Thread R2	Maßzahlen Dimensions					Artikel Article	Bestell-Nummer Order-No.	Preis Price €
				L	L1	C	HEX 1	HEX 2			
06	1/4"	1/4"	7/16" UNF	61	43	4	17	19	Z3G- 4	Z3 DKR 1.4 - DN 06	*)
10	3/8"	3/8"	9/16" UNF	67,5	48	7	22	22	Z3G- 6	Z3 DKR 3.8 - DN 10	*)
12	1/2"	1/2"	5/8" UNF	71,5	50	8	27	27	Z3G- 8	Z3 DKR 1.2 - DN 12	*)
20	3/4"	3/4"	M22x1,5	87,5	63	14	32	32	Z3G-12	Z3 DKR 3.4 - DN 20	*)
25	1"	1"	29.9 UNF	101	71	19	41	41	Z3G-16	Z3 DKR 1.1 - DN 25	*)

## Dichtkopf DKR 90°

mit BSP Überwurfmutter, Schraubarmatur  
90° Bogen

### BSP 90° Swivel Female

with Cone 60°, Reusable



Schlauch Hose DN	Hose inch	Gewinde Thread R1	Gewinde Thread R2	Maßzahlen Dimensions				Artikel Article	Bestell-Nummer Order-No.	Preis Price €
				L	L1	C	HEX			
06	1/4"	1/4"	7/16" UNF	70	43	4	19	Z90G- 4	Z90 DKR 1.4 - DN 06	*)
10	3/8"	3/8"	9/16" UNF	80	48	7	22	Z90G- 6	Z90 DKR 3.8 - DN 10	*)
12	1/2"	1/2"	5/8" UNF	88	50	8	27	Z90G- 8	Z90 DKR 1.2 - DN 12	*)
20	3/4"	3/4"	M22x1.5	112	63	14	32	Z90G-12	Z90 DKR 3.4 - DN 20	*)
25	1"	1"	29.9 UNF	132	71	19	41	Z90G-16	Z90 DKR 1.1 - DN 25	*)

\*) Bitte Preisliste anfordern!  
\*) Please, request price list!

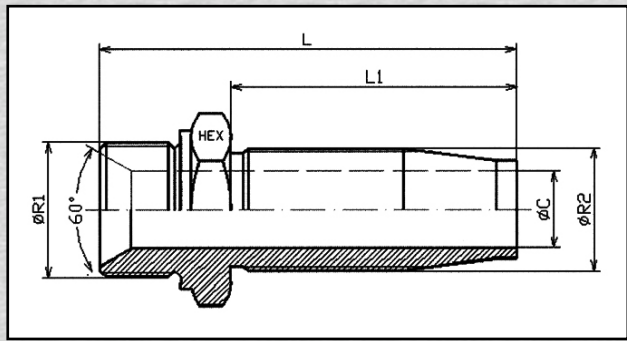


## BSP Einschraubzapfen AGR

Zyl. DIN 3852 Form A, mit 60° Konus  
Schraubarmatur

### BSP Male AGR

with Cone 60°, Reusable



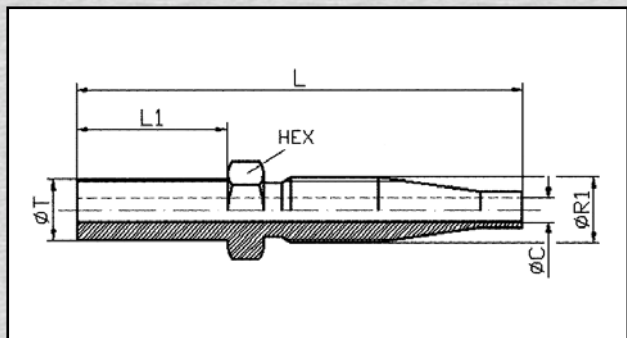
Schlauch Hose DN	Hose inch	Gewinde Thread R1	Gewinde Thread R2	Maßzahlen Dimensions				Artikel Article	Bestell-Nummer Order-No.	Preis Price €
				L	L1	C	HEX			
06	1/4"	1/4"	7/16" UNF	62	43	4	17	Z2G- 4	Z2G 1.4 - DN 06	*)
10	3/8"	3/8"	9/16" UNF	69,5	48	7	22	Z2G- 6	Z2G 3.8 - DN 10	*)
12	1/2"	1/2"	5/8" UNF	75,5	50	8	27	Z2G- 8	Z2G 1.2 - DN 12	*)
20	3/4"	3/4"	M22x1,5	89,5	63	14	32	Z2G-12	Z2G 3.4 - DN 20	*)
25	1"	1"	29.9 UNF	103	71	19	41	Z2G-16	Z2G 1.1 - DN 25	*)

## Rohrstutzen metrisch

RSL / BEL, Schraubarmatur, DIN 2353

### Straight Standpipe Reusable

(DIN 2353), metric



Schlauch Hose DN	Hose inch	Gewinde Thread R1	Rohr Pipe T. MET.	Maßzahlen Dimensions				Artikel Article	Bestell-Nummer Order-No.	Preis Price €
				L	L1	C	HEX			
06	1/4"	7/16" UNF	08	74	25	4	14	ZE-08- 4	ZE-BE 08 - DN 06	*)
06	1/4"	7/16" UNF	10	74	25	4	14	ZE-10- 4	ZE-BE 10 - DN 06	*)
10	3/8"	9/16" UNF	10	80	25	7	17	ZE-10- 6	ZE-BE 10 - DN 10	*)
10	3/8"	9/16" UNF	12	82	27	7	17	ZE-12- 6	ZE-BE 12 - DN 10	*)
10	3/8"	9/16" UNF	15	82	27	7	17	ZE-15- 6	ZE-BE 15 - DN 10	*)
12	1/2"	5/8" UNF	15	86	27	8	19	ZE-15- 8	ZE-BE 15 - DN 12	*)
20	3/4"	M22x1.5	22	104,5	31,5	14	27	ZE-22-12	ZE-BE 22 - DN 20	*)

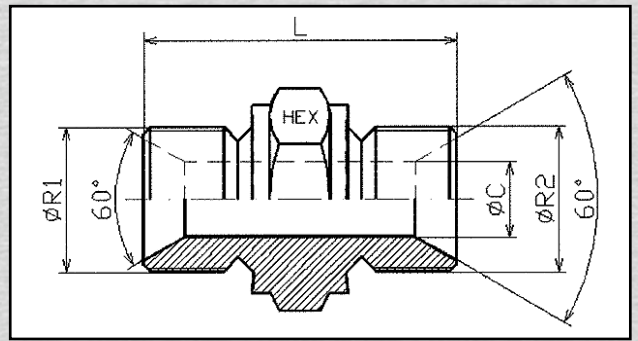
\*) Bitte Preisliste anfordern!

\*) Please, request price list!

## Doppelnippel AGR-AGR

### Adaptor BSP Both Cyl.

Cone 60°

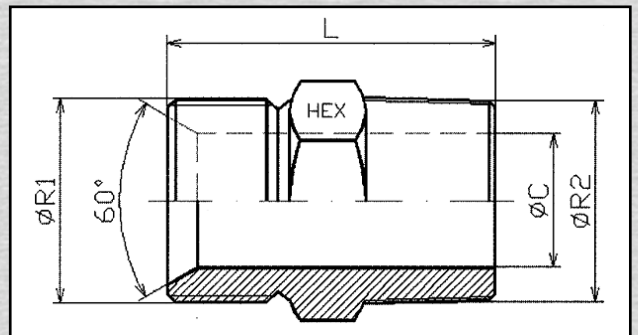


Schlauch Hose DN	Gewinde Thread R1	Gewinde Thread R2	Maßzahlen Dimensions			Artikel Article	Bestell-Nummer Order-No.	Preis Price €
			L	C	HEX			
04	1/8"	1/8"	25	4	14	Z101002	1.8 AGR - 1.8 AGR	*)
06	1/4"	1/4"	32	5	17	Z101004	1.4 AGR - 1.4 AGR	*)
10	3/8"	3/8"	36	8	22	Z101006	3.8 AGR - 3.8 AGR	*)
12	1/2"	1/2"	43	11	27	Z101008	1.2 AGR - 1.2 AGR	*)
16	5/8"	5/8"	45	14	30	Z101010	5.8 AGR - 5.8 AGR	*)
20	3/4"	3/4"	45	16	32	Z101012	3.4 AGR - 3.4 AGR	*)
25	1"	1"	54	22	41	Z101016	1.1 AGR - 1.1 AGR	*)
32	1 1/4"	1 1/4"	58	28	50	Z101020	5.4 AGR - 5.4 AGR	*)
40	1 1/2"	1 1/2"	62	33	55	Z101024	3.2 AGR - 3.2 AGR	*)
50	2"	2"	72	46	65	Z101032	4.2 AGR - 4.2 AGR	*)

## Doppelnippel AGR-BSPT

### Adaptor BSP Male Cone 60°

BSPT Male Tapered



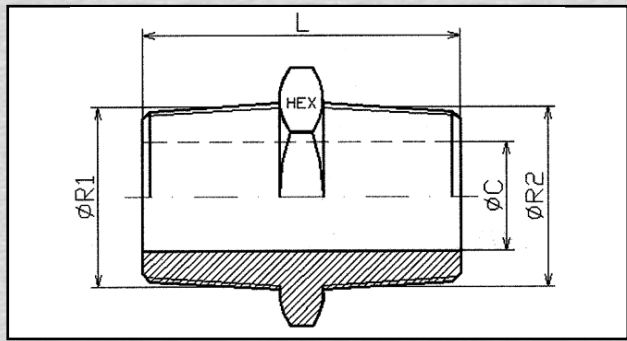
Schlauch Hose DN	Gewinde Thread R1	Gewinde Thread R2	Maßzahlen Dimensions			Artikel Article	Bestell-Nummer Order-No.	Preis Price €
			L	C	HEX			
04	1/8"	1/8" BSPT	24,5	4	14	Z10120202	1.8 AGR - 1.8 BSPT	*)
06	1/4"	1/4" BSPT	30,5	5	17	Z10120404	1.4 AGR - 1.4 BSPT	*)
10	3/8"	3/8" BSPT	33,5	8	22	Z10120606	3.8 AGR - 3.8 BSPT	*)
12	1/2"	1/2" BSPT	38,5	11	27	Z10120808	1.2 AGR - 1.2 BSPT	*)
20	3/4"	3/4" BSPT	44	16	32	Z10121212	3.4 AGR - 3.4 BSPT	*)
25	1"	1" BSPT	54	22	41	Z10121616	1.1 AGR - 1.1 BSPT	*)
32	1 1/4"	1 1/4" BSPT	57	28	50	Z10122020	5.4 AGR - 5.4 BSPT	*)
40	1 1/2"	1 1/2" BSPT	61,5	33	55	Z10122424	3.2 AGR - 3.2 BSPT	*)
50	2"	2" BSPT	71,5	46	65	Z10123232	4.2 AGR - 4.2 BSPT	*)

\*) Bitte Preisliste anfordern!  
\*) Please, request price list!



## Doppelnippel (Hochdruck)

### BSPT Adaptor Male

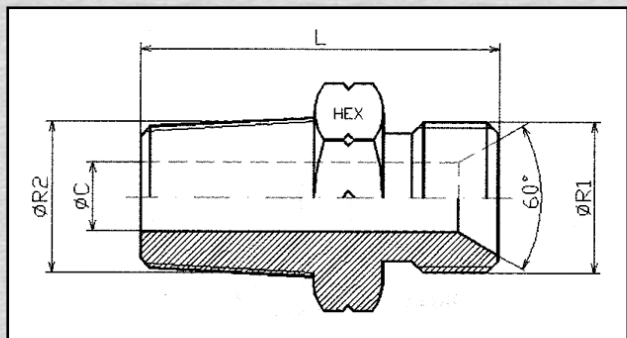


Schlauch Hose DN	Gewinde Thread R1	Gewinde Thread R2	Maßzahlen Dimensions			Artikel Article	Bestell-Nummer Order-No.	Preis Price €
			L	C	HEX			
-	1/4" BSPT	1/4" BSPT	33	6	17	Z10160404	Z 10160404	*)
-	3/8" BSPT	3/8" BSPT	34	8	19	Z10160606	Z 10160604	*)
-	1/2" BSPT	1/2" BSPT	38	13	22	Z10160808	Z 10160808	*)
-	3/4" BSPT	3/4" BSPT	48	17,5	30	Z10161212	Z 10161212	*)
-	1" BSPT	1" BSPT	58	20	36	Z10161616	Z 10161616	*)

## Doppelnippel AGR-AGN

### Adaptor BSP Male Cone 60°

NPT Male

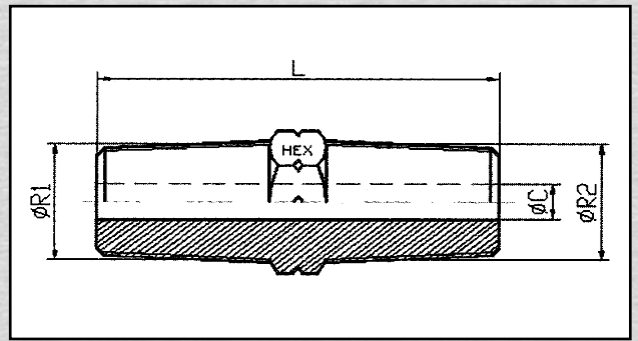


Schlauch Hose DN	Gewinde Thread R1	Gewinde Thread R2	Maßzahlen Dimensions			Artikel Article	Bestell-Nummer Order-No.	Preis Price €
			L	C	HEX			
04	1/8"	1/8" NPT	23	4	14	Z101402	1.8 AGR - 1.8 AGN	*)
06	1/4"	1/4" NPT	32	5	17	Z101404	1.4 AGR - 1.4 AGN	*)
10	3/8"	3/8" NPT	33	8	22	Z101406	3.8 AGR - 3.8 AGN	*)
12	1/2"	1/2" NPT	41	11	27	Z101408	1.2 AGR - 1.2 AGN	*)
20	3/4"	3/4" NPT	44,5	16	32	Z101412	3.4 AGR - 3.4 AGN	*)
25	1"	1" NPT	53	22	41	Z101416	1.1 AGR - 1.1 AGN	*)
32	1 1/4"	1 1/4" NPT	56	28	50	Z101420	5.4 AGR - 5.4 AGN	*)
40	1 1/2"	1 1/2" NPT	61	33	55	Z101424	3.2 AGR - 3.2 AGN	*)
50	2"	2" NPT	71	46	65	Z101432	4.2 AGR - 4.2 AGN	*)

\*) Bitte Preisliste anfordern!  
\*) Please, request price list!

## Doppelnippel AGN-AGN

### NPT Adaptor Male

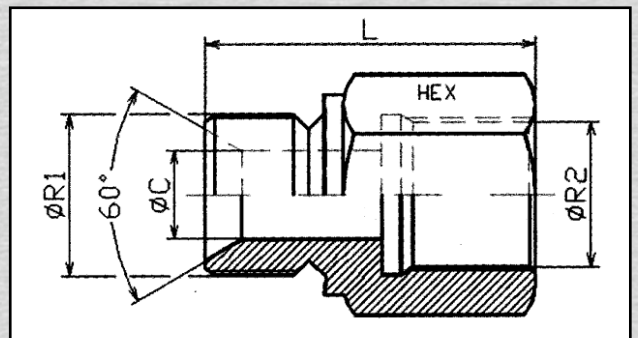


Schlauch Hose DN	Gewinde Thread		Maßzahlen Dimensions			Artikel Article	Bestell-Nummer Order-No.	Preis Price €
	R1	R2	L	C	HEX			
-	1/4" NPT	1/4" NPT	33	6	17	Z10150404	1.4 AGN - 1.4 AGN	*)
-	3/8" NPT	3/8" NPT	34	8	19	Z10150606	3.8 AGN - 3.8 AGN	*)
-	1/2" NPT	1/2" NPT	44	13	22	Z10150808	1.2 AGN - 1.2 AGN	*)
-	3/4" NPT	3/4" NPT	48	17,5	30	Z10151212	3.4 AGN - 3.4 AGN	*)
-	1" NPT	1" NPT	57	20	36	Z10151616	1.1 AGN - 1.1 AGN	*)

## Doppelnippel AGR-IGR

### Adaptor BSP Male 60° Cone

Female BSP



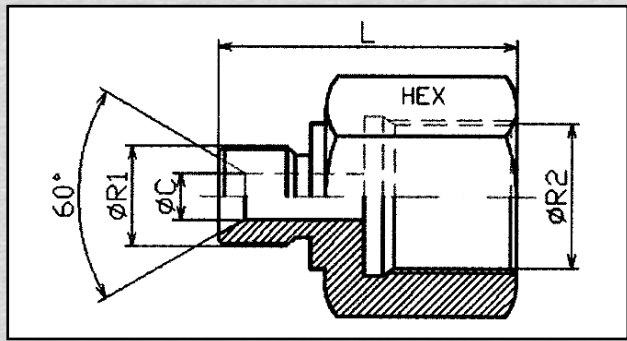
Schlauch Hose DN	Gewinde Thread		Maßzahlen Dimensions			Artikel Article	Bestell-Nummer Order-No.	Preis Price €
	R1	R2	L	C	HEX			
06	1/4"	1/4"	34	5	19	Z106004	1.4 AGR - 1.4 IGR	*)
10	3/8"	3/8"	36,5	8	22	Z106006	3.8 AGR - 3.8 IGR	*)
12	1/2"	1/2"	42,5	11	27	Z106008	1.2 AGR - 1.2 IGR	*)
20	3/4"	3/4"	44,5	16	36	Z106012	3.4 AGR - 3.4 IGR	*)
25	1"	1"	50	22	41	Z106016	1.1 AGR - 1.1 IGR	*)
32	1"1/4"	1"1/4"	60	28	50	Z106020	5.4 AGR - 5.4 IGR	*)
40	1"1/2"	1"1/2"	65	33	55	Z106024	3.2 AGR - 3.2 IGR	*)
50	2"	2"	75,5	46	70	Z106032	4.2 AGR - 4.2 IGR	*)

\*) Bitte Preisliste anfordern!  
\*) Please, request price list!

## Doppelnippel AGR-IGR

### Adaptor Reducer Male BSP 60°

Female Fixed BSP



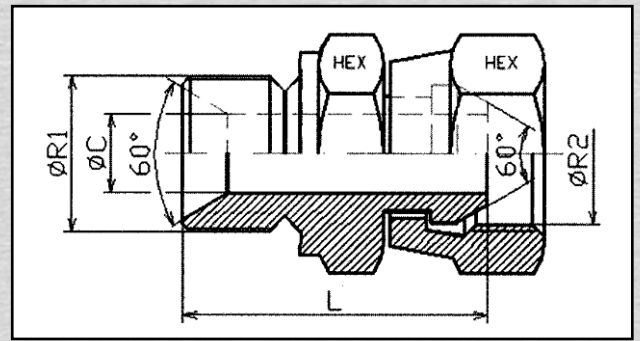
Schlauch Hose DN	Gewinde Thread R1	Gewinde Thread R2	Maßzahlen Dimensions			Artikel Article	Bestell-Nummer Order-No.	Preis Price €
			L	C	HEX			
04/06	1/8"	1/4"	31	4	19	Z10600204	1.8 AGR - 1.4 IGR	*)
06/04	1/4"	1/8"	39	5	19	Z10600402	1.4 AGR - 1.8 IGR	*)
06/12	1/4"	1/2"	38	5	27	Z10600408	1.4 AGR - 1.2 IGR	*)
10/06	3/8"	1/4"	35,5	8	2	Z10600604	3.8 AGR - 1.4 IGR	*)
10/12	3/8"	1/2"	39,5	8	27	Z10600608	3.8 AGR - 1.2 IGR	*)
12/06	1/2"	1/4"	38,5	11	27	Z10600804	3.8 AGR - 1.4 IGR	*)
12/10	1/2"	3/8"	39,5	11	27	Z10600806	1.2 AGR - 3.8 IGR	*)
12/20	1/2"	3/4"	46	11	32	Z10600812	1.2 AGR - 3.4 IGR	*)
20/10	3/4"	3/8"	40,5	16	32	Z10601206	3.4 AGR - 3.8 IGR	*)
20/12	3/4"	1/2"	43,5	16	32	Z10601208	3.4 AGR - 1.2 IGR	*)
20/25	3/4"	1"	46,5	16	41	Z10601216	3.4 AGR - 1.1 IGR	*)
25/20	1"	3/4"	48	22	41	Z10601612	1.1 AGR - 3.4 IGR	*)
25/32	1"	1 1/4"	58	22	50	Z10601620	1.1 AGR - 5.4 IGR	*)
32/25	1 1/4"	1"	52	28	50	Z10602016	5.4 AGR - 1.1 IGR	*)
40/32	1 1/2"	1 1/4"	61	33	55	Z10602420	3.2 AGR - 5.4 IGR	*)
40/50	1 1/2"	2"	65	33	70	Z10602432	3.2 AGR - 4.2 IGR	*)
50/40	2"	1 1/2"	75,5	46	70	Z10603224	4.2 AGR - 3.2 IGR	*)

\*) Bitte Preisliste anfordern!  
\*) Please, request price list!

## Doppelnippel AGR-DKR

### 60° BSP Male

Swivel Female Adaptor

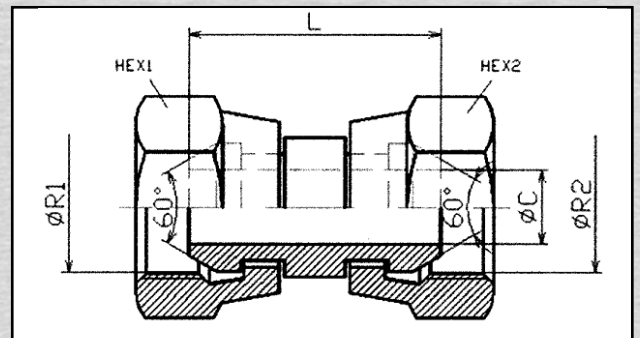


Schlauch Hose DN	Gewinde Thread R1	Gewinde Thread R2	Maßzahlen Dimensions			Artikel Article	Bestell-Nummer Order-No.	Preis Price €
			L	C	HEX			
06	1/4"	1/4"	30,5	5	17	Z117004	1.4 AGR - 1.4 DKR	*)
10	3/8"	3/8"	34,5	8	22	Z117006	3.8 AGR - 3.8 DKR	*)
12	1/2"	1/2"	40	11	27	Z117008	1.2 AGR - 1.2 DKR	*)
20	3/4"	3/4"	44	16	32	Z117012	3.4 AGR - 3.4 DKR	*)
25	1"	1"	53,5	22	41	Z117016	1.1 AGR - 1.1 DKR	*)
32	1 1/4"	1 1/4"	56,5	28	50	Z117020	5.4 AGR - 5.4 DKR	*)
40	1 1/2"	1 1/2"	61	33	55	Z117024	3.2 AGR - 3.2 DKR	*)

## Doppelnippel DKR-DKR

### Adaptor BSP

Swivel Female Cone 60°



Schlauch Hose DN	Gewinde Thread R1	Gewinde Thread R2	Maßzahlen Dimensions				Artikel Article	Bestell-Nummer Order-No.	Preis Price €
			L	C	HEX 1	HEX 2			
06	1/4"	1/4"	24	5	19	19	Z117204	1.4 DKR - 1.4 DKR	*)
10	3/8"	3/8"	28	7	22	22	Z117206	3.8 DKR - 3.8 DKR	*)
12	1/2"	1/2"	31	9,5	27	27	Z117208	1.2 DKR - 1.2 DKR	*)
20	3/4"	3/4"	38	15	32	32	Z117212	3.4 DKR - 3.4 DKR	*)
25	1"	1"	45	19,5	41	41	Z117216	1.1 DKR - 1.1 DKR	*)

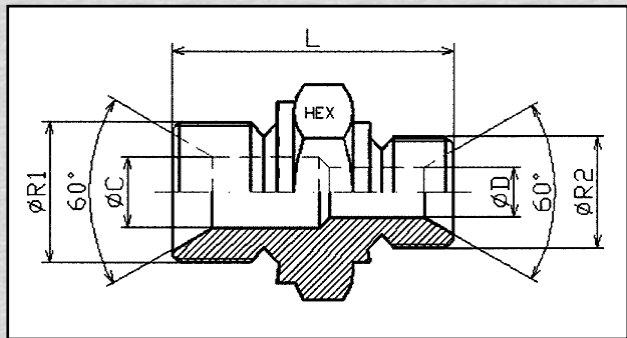
\*) Bitte Preisliste anfordern!  
\*) Please, request price list!



## Reduziernippel AGR-AGR

### Reducing Adaptor BSP Both Cyl.

Cone 60°



Schlauch Hose DN	Gewinde Thread R1	Gewinde Thread R2	Maßzahlen Dimensions				Artikel Article	Bestell-Nummer Order-No.	Preis Price €
			L	C	D	HEX			
04/06	1/4"	1/8"	29	5	4	17	Z10200402	1.4 AGR - 1.8 AGR	*)
06/10	3/8"	1/4"	34,5	8	5	22	Z10200604	1.4 AGR - 3.8 AGR	*)
06/12	1/2"	1/4"	38,5	11	5	27	Z10200804	1.4 AGR - 1.2 AGR	*)
10/12	1/2"	3/8"	40	11	8	27	Z10200806	3.8 AGR - 1.2 AGR	*)
12/16	5/8"	1/2"	44	14	11	30	Z10201008	1.2 AGR - 5.8 AGR	*)
10/20	3/4"	3/8"	41	16	8	32	Z10201206	3.8 AGR - 3.4 AGR	*)
12/20	3/4"	1/2"	45	16	11	32	Z10201208	1.2 AGR - 3.4 AGR	*)
16/20	3/4"	5/8"	45	16	14	32	Z10201210	5.8 AGR - 3.4 AGR	*)
12/25	1"	1/2"	49,5	22	11	41	Z10201608	1.2 AGR - 1.1 AGR	*)
20/25	1"	3/4"	50,5	22	16	41	Z10201612	3.4 AGR - 1.1 AGR	*)
20/32	1 1/4"	3/4"	52,5	28	16	50	Z10202012	3.4 AGR - 5.4 AGR	*)
25/32	1 1/4"	1"	56	28	22	50	Z10202016	1.1 AGR - 5.4 AGR	*)
25/40	1 1/2"	1"	59	33	22	55	Z10202416	1.1 AGR - 3.2 AGR	*)
32/40	1 1/2"	1 1/4"	61	33	28	55	Z10202420	5.4 AGR - 3.2 AGR	*)
32/50	2"	1 1/4"	67,5	46	28	65	Z10203220	5.4 AGR - 4.2 AGR	*)
40/50	2"	1 1/2"	68,5	46	33	65	Z10203224	3.2 AGR - 4.2 AGR	*)

\*) Bitte Preisliste anfordern!

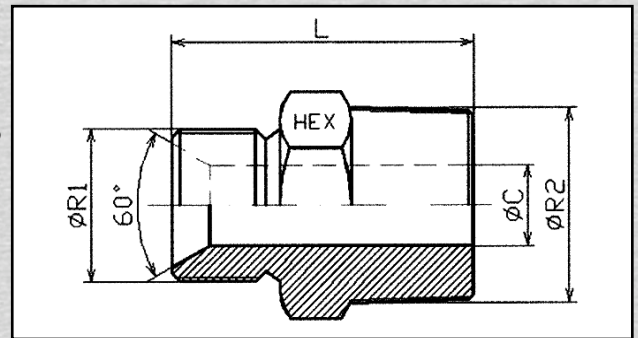
\*) Please, request price list!



## Reduziernippel AGR-BSPT

### Reducing Adaptor BSP Male Cone 60°

BSPT Male Tapered



Schlauch Hose DN	Gewinde Thread R1	Gewinde Thread R2	Maßzahlen Dimensions			Artikel Article	Bestell-Nummer Order-No.	Preis Price €
			L	C	HEX			
04/06	1/8"	1/4" BSPT	28,5	4	17	Z10220204	1.8 AGR - 1.4 BSPT	*)
06/10	1/4"	3/8" BSPT	31	5	19	Z10220406	1.4 AGR - 3.8 BSPT	*)
06/12	1/4"	1/2" BSPT	35,5	5	22	Z10220408	1.4 AGR - 1.2 BSPT	*)
06/20	1/4"	3/4" BSPT	39	5	27	Z10220412	1.4 AGR - 3.4 BSPT	*)
10/12	3/8"	1/2" BSPT	35	8	22	Z10220608	3.8 AGR - 1.2 BSPT	*)
10/20	3/8"	3/4" BSPT	41,5	8	30	Z10220612	3.8 AGR - 3.4 BSPT	*)
12/06	1/2"	1/4" BSPT	36,5	6	27	Z10220804	1.2 AGR - 1.4 BSPT	*)
12/20	1/2"	3/4" BSPT	43	11	30	Z10220812	1.2 AGR - 3.4 BSPT	*)
16/20	5/8"	3/4" BSPT	44	14	30	Z10221012	5.8 AGR - 3.4 BSPT	*)
20/06	3/4"	1/4" BSPT	37,5	6	32	Z10221204	3.4 AGR - 1.4 BSPT	*)
20/25	3/4"	1" BSPT	49	16	36	Z10221216	3.4 AGR - 1.1 BSPT	*)
25/32	1"	1 1/4" BSPT	55	19	46	Z10221620	1.1 AGR - 5.4 BSPT	*)
32/25	1 1/4"	1" BSPT	56	20	50	Z10222016	5.4 AGR - 1.1 BSPT	*)
32/40	1 1/4"	1 1/2" BSPT	58	21	50	Z10222024	5.4 AGR - 3.2 BSPT	*)
40/50	1 1/2"	2" BSPT	65,5	33	65	Z10222432	3.2 AGR - 4.2 BSPT	*)

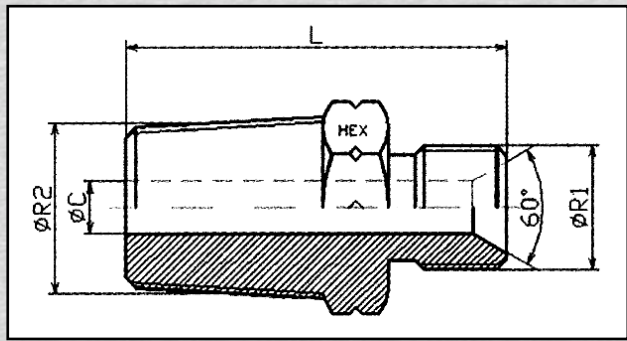
\*) Bitte Preisliste anfordern!

\*) Please, request price list!

## Reduziernippel AGR-AGN

### Reducing Adaptor BSP Male Cone 60°

NPT Male



Schlauch Hose DN	Gewinde Thread R1	Gewinde Thread R2	Maßzahlen Dimensions			Artikel Article	Bestell-Nummer Order-No.	Preis Price €
			L	C	HEX			
04/06	1/8"	1/4" NPT	30	4	17	Z10240204	1.8 AGR - 1.4 AGN	*)
04/10	1/4"	3/8" NPT	31	5	19	Z10240406	1.4 AGR - 3.8 AGN	*)
06/10	1/4"	1/2" NPT	37	5	22	Z10240408	1.4 AGR - 1.2 AGN	*)
10/12	3/8"	1/2" NPT	38,5	8	22	Z10240608	3.8 AGR - 1.2 AGN	*)
10/20	3/8"	3/4" NPT	41	8	30	Z10240612	3.8 AGR - 3.4 AGN	*)
12/10	1/2"	3/8" NPT	37	8	27	Z10240806	1.2 AGR - 3.8 AGN	*)
12/20	1/2"	3/4" NPT	43,5	11	30	Z10240812	1.2 AGR - 3.4 AGN	*)
16/20	5/8"	3/4" NPT	44,5	14	30	Z10241012	5.8 AGR - 3.4 AGN	*)
20/12	3/4"	1/2" NPT	43	13	32	Z10241208	3.4 AGR - 1.2 AGN	*)
20/25	3/4"	1" NPT	48	16	36	Z10241216	3.4 AGR - 1.1 AGN	*)
20/40	3/4"	1 1/2" NPT	45	13	50	Z10241224	3.4 AGR - 3.2 AGN	*)
25/32	1"	1 1/4" NPT	55	22	46	Z10241620	1.1 AGR - 5.4 AGN	*)
32/40	1 1/4"	1 1/2" NPT	58	28	50	Z10242024	5.4 AGR - 3.2 AGN	*)
40/50	1 1/2"	2" NPT	65,5	33	65	Z10242432	3.2 AGR - 2 AGN	*)

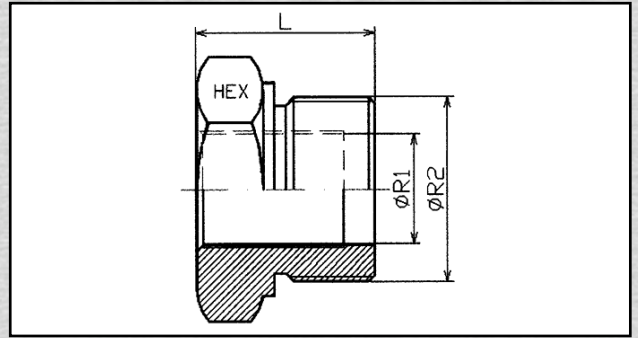
\*) Bitte Preisliste anfordern!

\*) Please, request price list!

## Reduziernippel AGR-IGR

### 60° BSP Male - Fixed Female

Reductor Plug

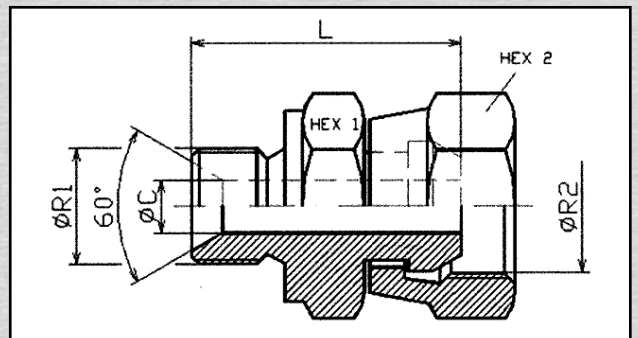


Schlauch Hose DN	Gewinde Thread R1	Gewinde Thread R2	Maßzahlen Dimensions		Artikel Article	Bestell-Nummer Order-No.	Preis Price €
			L	HEX			
-	1/8"	1/4"	19	17	Z11500402	Z 11500402	*)
-	1/8"	3/8"	21	22	Z11500602	Z 11500602	*)
-	1/4"	3/8"	21	22	Z11500604	Z 11500604	*)
-	1/4"	1/2"	24,5	27	Z11500804	Z 11500804	*)
-	3/8"	1/2"	24,5	27	Z11500806	Z 11500806	*)
-	1/2"	3/4"	26,5	32	Z11501208	Z 11501208	*)
-	3/4"	1"	32	41	Z11501612	Z 11501612	*)
-	3/4"	1 1/4"	33	50	Z11502012	Z 11502012	*)
-	1"	1 1/4"	33	50	Z11502016	Z 11502016	*)
-	1"	1 1/2"	36,5	55	Z11502416	Z 11502416	*)
-	1 1/4"	1 1/2"	36,5	55	Z11502420	Z 11502420	*)
-	1 1/4"	2"	43	65	Z11503220	Z 11503220	*)
-	1 1/2"	2"	43	65	Z11503224	Z 11503224	*)

## Reduziernippel AGR-DKR

### Reducing Adaptor BSP Male

Swivel Female Cone 60°



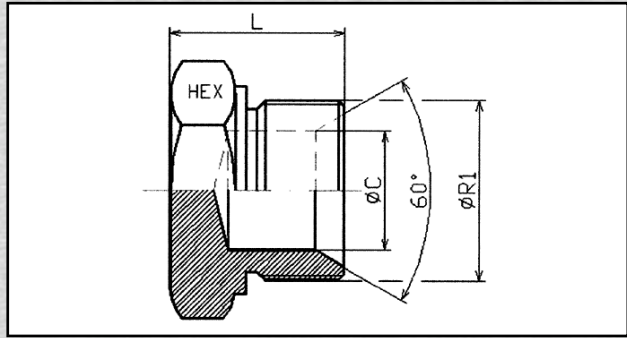
Schlauch Hose DN	Gewinde Thread R1	Gewinde Thread R2	Maßzahlen Dimensions				Artikel Article	Bestell-Nummer Order-No.	Preis Price €
			L	C	HEX 1	HEX 2			
04/06	1/8"	1/4"	27	4	17	19	Z11730204	1.8 AGR - 1.4 DKR	*)
06/10	1/4"	3/8"	32,5	5	22	22	Z11730406	1.4 AGR - 3.8 DKR	*)
10/12	3/8"	1/2"	36	8	27	27	Z11730608	3.8 AGR - 1.2 DKR	*)
12/20	1/2"	3/4"	42	11	32	32	Z11730812	1.2 AGR - 3.4 DKR	*)
20/25	3/4"	1"	48,5	16	41	41	Z11731216	3.4 AGR - 1.1 DKR	*)
25/32	1"	1 1/4"	56	22	50	50	Z11731620	1.1 AGR - 5.4 DKR	*)
32/40	1 1/4"	1 1/2"	59	28	55	55	Z11732024	5.4 AGR - 3.2 DKR	*)

\*) Bitte Preisliste anfordern!  
\*) Please, request price list!

## Verschlußschraube BSP

### Hexagonal Head Plug BSP Male

60° Cone



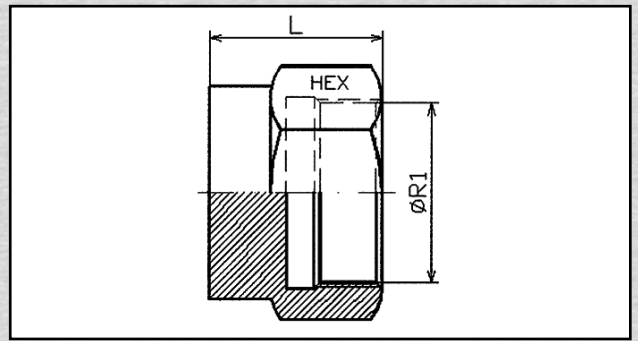
Schlauch Hose DN	Gewinde Thread R1	Maßzahlen Dimensions			Artikel Article	Bestell-Nummer Order-No.	Preis Price €
		L	C	HEX			
04	1/8"	15	4	14	Z107002	1.8 VS	*)
06	1/4"	19	5	17	Z107004	1.4 VS	*)
10	3/8"	21,5	8	22	Z107006	3.8 VS	*)
12	1/2"	25,5	11	27	Z107008	1.2 VS	*)
20	3/4"	26,5	16	32	Z107012	3.4 VS	*)
25	1"	32	22	41	Z107016	1.1 VS	*)
32	1 1/4"	34	28	50	Z107020	5.4 VS	*)
40	1 1/2"	37	33	55	Z107024	3.2 VS	*)
50	2"	43,5	46	65	Z107032	4.2 VS	*)

\*) Bitte Preisliste anfordern!

\*) Please, request price list!

## Verschlußmutter BSP

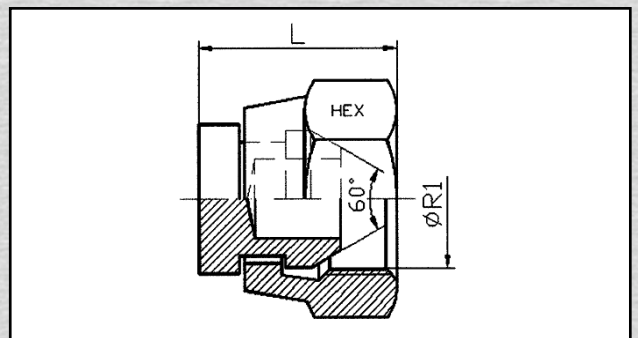
### Hexagonal Head Plug BSP Female



Schlauch Hose DN	Gewinde Thread R1	Maßzahlen Dimensions		Artikel Article	Bestell-Nummer Order-No.	Preis Price €
		L	HEX			
-	1/4"	18	19	Z107204	1.4 M - VS	*)
-	3/8"	20	22	Z107206	3.8 M - VS	*)
-	1/2"	23	27	Z107208	1.2 M - VS	*)
-	3/4"	26	32	Z107212	3.4 M - VS	*)
-	1"	26	41	Z107216	1.1 M - VS	*)
-	1 1/4"	37	50	Z107220	5.4 M - VS	*)
-	1 1/2"	43	55	Z107224	3.2 M - VS	*)
-	2"	46	70	Z107232	4.2 M - VS	*)

## Verschlußmutter BSP

### Plug Swivel Female BSP 60°



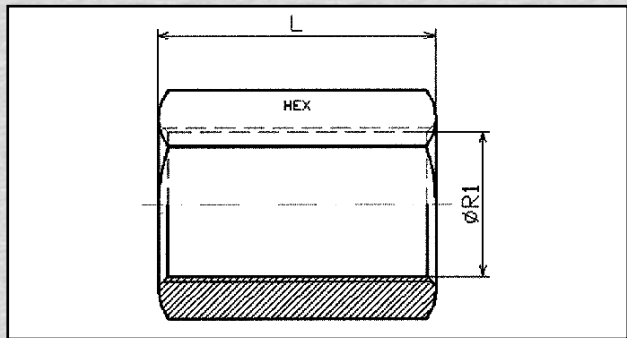
Schlauch Hose DN	Gewinde Thread R1	Maßzahlen Dimensions		Artikel Article	Bestell-Nummer Order-No.	Preis Price €
		L	HEX			
-	1/4"	13,5	19	Z107504	1.4 DKR - VS	*)
-	3/8"	15	22	Z107506	3.8 DKR - VS	*)
-	1/2"	16	27	Z107508	1.2 DKR - VS	*)
-	3/4"	20	32	Z107512	3.4 DKR - VS	*)
-	1"	23,5	41	Z107516	1.1 DKR - VS	*)
-	1 1/4"	25,5	50	Z107520	5.4 DKR - VS	*)
-	1 1/2"	29,5	55	Z107524	3.2 DKR - VS	*)
-	2"	33	65	Z107532	4.2 DKR - VS	*)

\*) Bitte Preisliste anfordern!  
\*) Please, request price list!



## Sechskantmuffe IGR-IGR

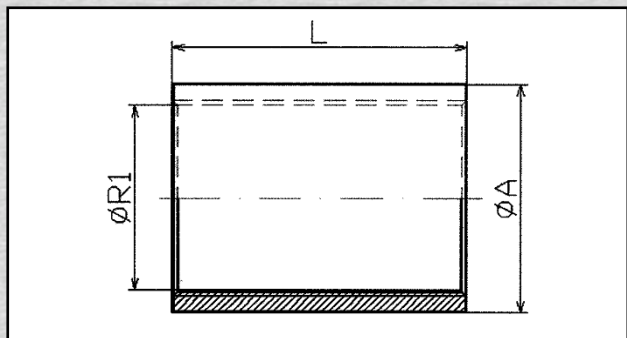
**BSP Hexagonal Union Female**



Schlauch Hose DN	Gewinde Thread R1	Maßzahlen Dimensions		Artikel Article	Bestell-Nummer Order-No.	Preis Price €
		L	HEX			
-	1/4"	23	22	Z103104	1.4 IGR - 1.4 IGR	*)
-	3/8"	31	24	Z103106	3.8 IGR - 3.8 IGR	*)
-	1/2"	35	30	Z103108	1.2 IGR - 1.2 IGR	*)
-	3/4"	45	36	Z103112	3.4 IGR - 3.4 IGR	*)
-	1"	50	41	Z103116	1.1 IGR - 1.1 IGR	*)

## Muffe (Hochdruck)

**BSP Union Female**

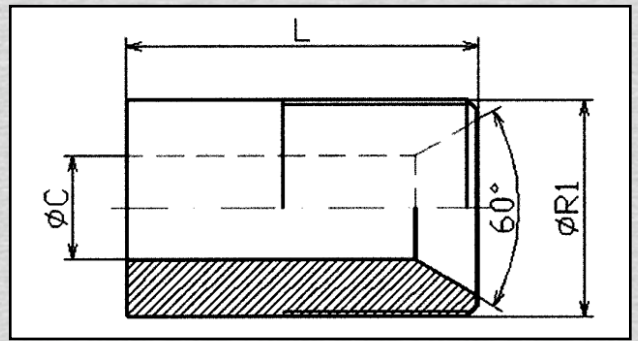


Schlauch Hose DN	Gewinde Thread R1	Maßzahlen Dimensions		Artikel Article	Bestell-Nummer Order-No.	Preis Price €
		L	A			
-	1/8"	21	14	Z131002	Z 131002	*)
-	1/4"	23	20	Z131004	Z 131004	*)
-	3/8"	31	24	Z131006	Z 131006	*)
-	1/2"	35	30	Z131008	Z 131008	*)
-	3/4"	45	34	Z131012	Z 131012	*)
-	1"	50	42	Z131016	Z 131016	*)
-	1 1/4"	55	50	Z131020	Z 131020	*)
-	1 1/2"	55	56	Z131024	Z 131024	*)
-	2"	65	70	Z131032	Z 131032	*)

\*) Bitte Preisliste anfordern!  
\*) Please, request price list!

## Anschweißnippel AGR

### Adaptor Fixed Male-Welding



Schlauch Hose DN	Gewinde Thread R1	Maßzahlen Dimensions		Artikel Article	Bestell-Nummer Order-No.	Preis Price €
		L	C			
-	1/4"	25	5	Z129004	Z 129004	*)
-	3/8"	27	8	Z129006	Z 129006	*)
-	1/2"	35	11	Z129008	Z 129008	*)
-	3/4"	41	16	Z129012	Z 129012	*)
-	1"	45	22	Z129016	Z 129016	*)
-	1 1/4"	45	28	Z129020	Z 129020	*)
-	1 1/2"	50	33	Z129024	Z 129024	*)
-	2"	54	46	Z129032	Z 129032	*)

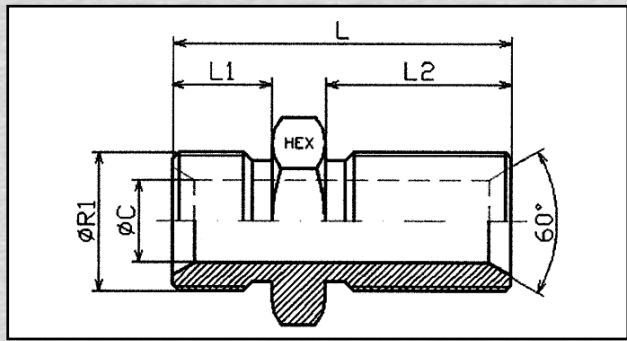
\*) Bitte Preisliste anfordern!  
\*) Please, request price list!

## Gerader Schottadapter

DIN 3910  
Form ohne KM

### 60° BSP Bulkhead Adaptor

without Nut

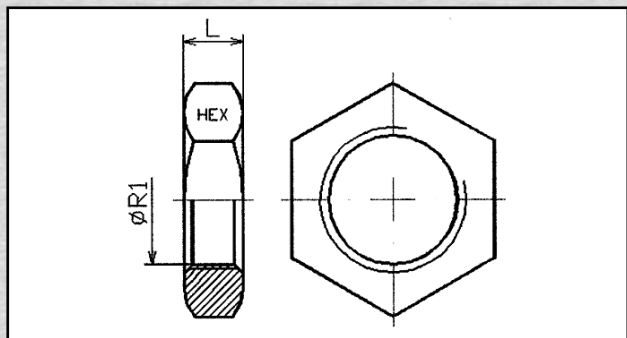


Schlauch Hose DN	Gewinde Thread R1	Maßzahlen Dimensions					Artikel Article	Bestell-Nummer Order-No.	Preis Price €
		L	L1	L2	C	HEX			
06	1/4"	47	13	28	5	19	Z116004	1.4 SV	*)
10	3/8"	53,5	14,5	32	8	22	Z116006	3.8 SV	*)
12	1/2"	60,5	17,5	35	11	27	Z116008	1.2 SV	*)
20	3/4"	65,5	18,5	38	16	32	Z116012	3.4 SV	*)
25	1"	73	22	41	22	41	Z116016	1.1 SV	*)

## Gegenmuttern DIN 80705

für Schott Verschraubungen

### BSP Bulkhead Nut

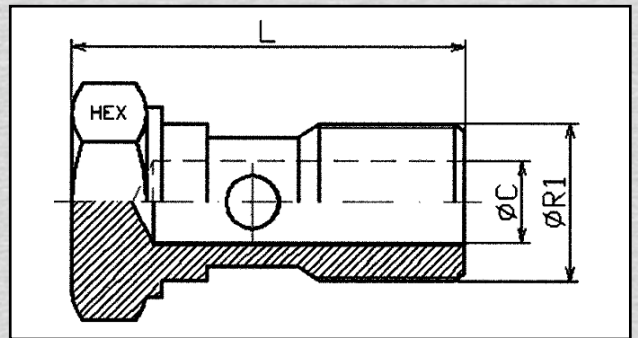


Schlauch Hose DN	Gewinde Thread R1	Maßzahlen Dimensions		Artikel Article	Bestell-Nummer Order-No.	Preis Price €
		L	HEX			
-	1/4"	7	19	Z116104	1.4 KM	*)
-	3/8"	7	22	Z116106	3.8 KM	*)
-	1/2"	8	27	Z116108	1.2 KM	*)
-	3/4"	9	32	Z116112	3.4 KM	*)
-	1"	11	41	Z116116	1.1 KM	*)

\*) Bitte Preisliste anfordern!  
\*) Please, request price list!

## Hohlschraube BSP

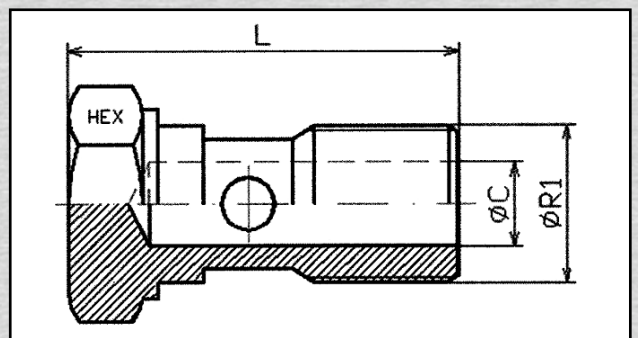
*BSP Bolt for Banjo*



Schlauch Hose DN	Gewinde Thread R1	Maßzahlen Dimensions			Artikel Article	Bestell-Nummer Order-No.	Preis Price €
		L	C	HEX			
-	1/4"	34	5	17	Z109004	HS - 1.4	*)
-	3/8"	40	8	22	Z109006	HS - 3.8	*)
-	1/2"	52	11	27	Z109008	HS - 1.2	*)
-	3/4"	56,5	16	32	Z109012	HS - 3.4	*)
-	1"	70,5	22	41	Z109016	HS - 1.1	*)

## Hohlschraube metrisch

*Metric Bolt for Banjo*



Schlauch Hose DN	Gewinde Thread R1	Maßzahlen Dimensions			Artikel Article	Bestell-Nummer Order-No.	Preis Price €
		L	C	HEX			
-	12x1,5	31	6	17	Z109212	HS - M 12	*)
-	14x1,5	35	8	19	Z109214	HS - M 14	*)
-	16x1,5	39	10	22	Z109216	HS - M 16	*)
-	18x1,5	45	11	24	Z109218	HS - M 18	*)
-	22x1,5	51,5	12,5	27	Z109222	HS - M 22	*)
-	26x1,5	55	16	32	Z109226	HS - M 26	*)
-	30x2	57	19	36	Z109230	HS - M 30	*)

\*) Bitte Preisliste anfordern!  
\*) Please, request price list!

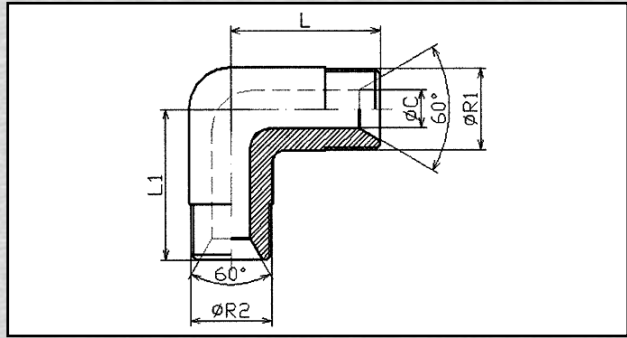


## Winkel Adapter AGR-AGR 90°

BSP 90 x BSP 90

### Forging BSP Male

Elbow 90°

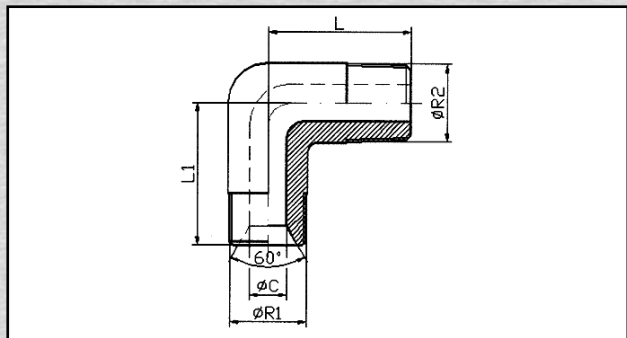


Schlauch Hose DN	Gewinde Thread R1	Gewinde Thread R2	Maßzahlen Dimensions			Artikel Article	Bestell-Nummer Order-No.	Preis Price €
			L	C	HEX			
04	1/8"	1/8"	23	23	4	Z119002	1.8 AGR - 1.8 AGR 90°	*)
06	1/4"	1/4"	26	26	5	Z119004	1.4 AGR - 1.4 AGR 90°	*)
10	3/8"	3/8"	28	28	8	Z119006	3.8 AGR - 3.8 AGR 90°	*)
12	1/2"	1/2"	30	30	11	Z119008	1.2 AGR - 1.2 AGR 90°	*)
20	3/4"	3/4"	39	39	16	Z119012	3.4 AGR - 3.4 AGR 90°	*)
25	1"	1"	45	45	22	Z119016	1.1 AGR - 1.1 AGR 90°	*)
32	1 1/4"	1 1/4"	53	53	28	Z119020	5.4 AGR - 5.4 AGR 90°	*)

## Winkel Adapter AGR-BSPT 90°

### Forging Elbow 90° BSP 60° Male

BSPT Male



Schlauch Hose DN	Gewinde Thread R1	Gewinde Thread R2	Maßzahlen Dimensions			Artikel Article	Bestell-Nummer Order-No.	Preis Price €
			L	L1	C			
04	1/8"	1/8" BSPT	23	23	4	Z119202	1.8 AGR - 1.8 BSPT 90°	*)
06	1/4"	1/4" BSPT	26	26	5	Z119204	1.4 AGR - 1.4 BSPT 90°	*)
10	3/8"	3/8" BSPT	28	28	8	Z119206	3.8 AGR - 3.8 BSPT 90°	*)
12	1/2"	1/2" BSPT	30	30	11	Z119208	1.2 AGR - 1.2 BSPT 90°	*)
20	3/4"	3/4" BSPT	39	39	16	Z119212	3.4 AGR - 3.4 BSPT 90°	*)
25	1"	1" BSPT	45	45	22	Z119216	1.1 AGR - 1.1 BSPT 90°	*)

\*) Bitte Preisliste anfordern!  
\*) Please, request price list!

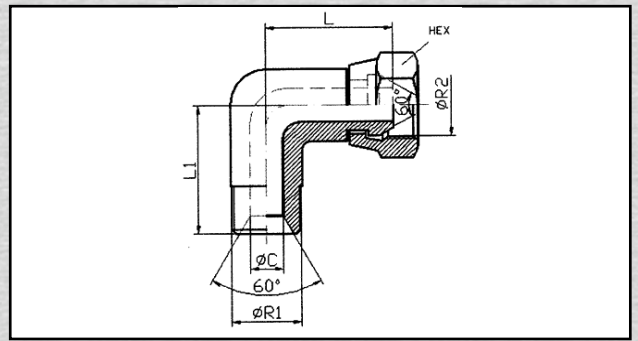


## Winkel Adapter AGR-DKR 90°

BSP männlich – BSP weiblich

### Adaptor BSP 90°

Swivel Female Cone 60°

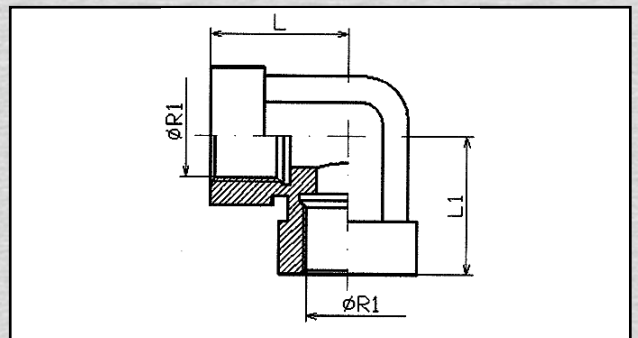


Schlauch Hose DN	Gewinde Thread R1	Gewinde Thread R2	Maßzahlen Dimensions				Artikel Article	Bestell-Nummer Order-No.	Preis Price €
			L	L1	C	HEX			
06	1/4"	1/4"	24	24	5	19	Z119304	1.4 AGR - 1.4 DKR 90°	*)
10	3/8"	3/8"	28	28	8	22	Z119306	3.8 AGR - 3.8 DKR 90°	*)
12	1/2"	1/2"	30	30	11	27	Z119308	1.2 AGR - 1.2 DKR 90°	*)
20	3/4"	3/4"	39	39	16	32	Z119312	3.4 AGR - 3.4 DKR 90°	*)
25	1"	1"	46	46	22	41	Z119316	1.1 AGR - 1.1 DKR 90°	*)
32	1 1/4"	1 1/4"	53	53	28	50	Z119320	5.4 AGR - 5.4 DKR 90°	*)

## Winkel Adapter IG-IG 90°

Hochdruck weiblich

### Female Elbow BSP 90°



Schlauch Hose DN	Gewinde Thread R1	Maßzahlen Dimensions		Artikel Article	Bestell-Nummer Order-No.	Preis Price €
		L	L1			
04	1/8"	25	25	Z119602	1.8 IG - 1.8 IG 90°	*)
06	1/4"	30	30	Z119604	1.4 IG - 1.4 IG 90°	*)
10	3/8"	34	34	Z119606	3.8 IG - 3.8 IG 90°	*)
12	1/2"	43	43	Z119608	1.2 IG - 1.2 IG 90°	*)
20	3/4"	43	43	Z119612	3.4 IG - 3.4 IG 90°	*)
25	1"	50	50	Z119616	1.1 IG - 1.1 IG 90°	*)

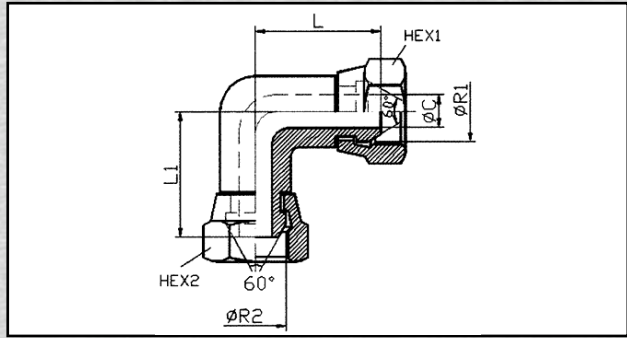
\*) Bitte Preisliste anfordern!  
\*) Please, request price list!

## Winkel Adapter DKR-DKR 90°

BSP weiblich – BSP männlich

### Forging Swivel Female BSP 90°

Elbow

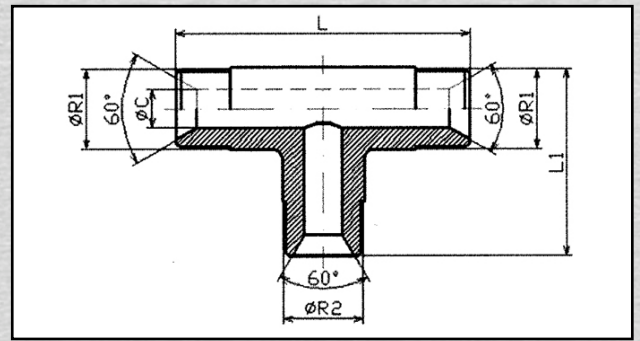


Schlauch Hose DN	Gewinde Thread R1	Gewinde Thread R2	Maßzahlen Dimensions					Artikel Article	Bestell-Nummer Order-No.	Preis Price €
			L	L1	C	HEX 1	HEX 2			
06	1/4"	1/4"	20	20	5	19	19	Z119804	1.4 DKR - 1.4 DKR 90°	*)
10	3/8"	3/8"	24	24	8	22	22	Z119806	3.8 DKR - 3.8 DKR 90°	*)
12	1/2"	1/2"	30	30	11	27	27	Z119808	1.2 DKR - 1.2 DKR 90°	*)
20	3/4"	3/4"	36	36	16	32	32	Z119812	3.4 DKR - 3.4 DKR 90°	*)
25	1"	1"	44	44	22	41	41	Z119816	1.1 DKR - 1.1 DKR 90°	*)
32	1 1/4"	1 1/4"	50	50	28	50	50	Z119820	5.4 DKR - 5.4 DKR 90°	*)

\*) Bitte Preisliste anfordern!  
\*) Please, request price list!

## T-Stück AGR

Forging BSP Male 60° Cone "T"

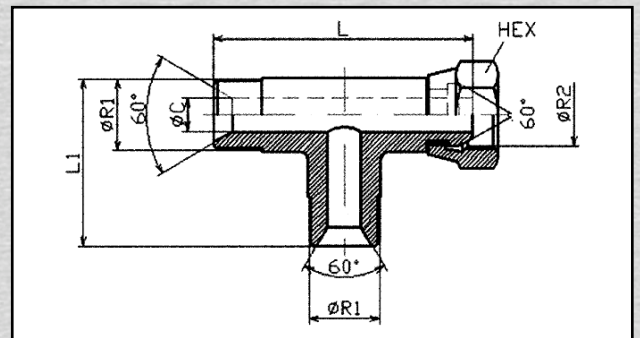


Schlauch Hose DN	Gewinde Thread R1	Gewinde Thread R2	Maßzahlen Dimensions			Artikel Article	Bestell-Nummer Order-No.	Preis Price €
			L	L1	C			
06	1/4"	1/4"	50	31,5	5	Z122004	T-1.4 AGR	*)
10	3/8"	3/8"	56	36,5	8	Z122006	T-3.8 AGR	*)
12	1/2"	1/2"	60	40,5	11	Z122008	T-1.2 AGR	*)
20	3/4"	3/4"	75,5	51	16	Z122012	T-3.4 AGR	*)
25	1"	1"	91	62	22	Z122016	T-1.1 AGR	*)
32	1 1/4"	1 1/4"	101,5	71	28	Z122020	T-5.4 AGR	*)

## T-Stück AGR-AGR-DKR

Forging BSP Male

Male – Swivel Female 60° Cone "T"



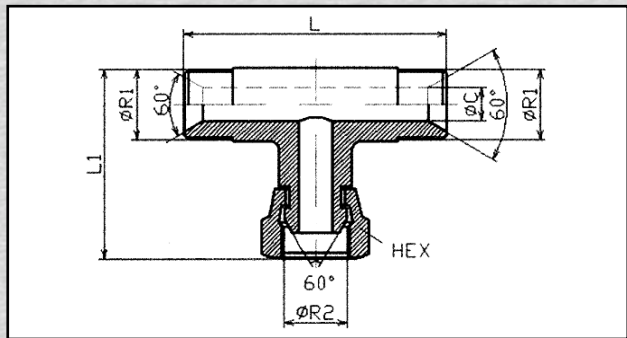
Schlauch Hose DN	Gewinde Thread R1	Gewinde Thread R2	Maßzahlen Dimensions				Artikel Article	Bestell-Nummer Order-No.	Preis Price €
			L	L1	C	HEX			
06	1/4"	1/4"	46	31,5	5	19	Z122204	T-1.4 AGR-AGR-DKR	*)
10	3/8"	3/8"	50	36,5	8	22	Z122206	T-3.8 AGR-AGR-DKR	*)
12	1/2"	1/2"	55	40,5	11	27	Z122208	T-1.2 AGR-AGR-DKR	*)
20	3/4"	3/4"	68,5	51	16	32	Z122212	T-3.4 AGR-AGR-DKR	*)
25	1"	1"	82,5	62	22	41	Z122216	T-1.1 AGR-AGR-DKR	*)

\*) Bitte Preisliste anfordern!  
\*) Please, request price list!

## T-Stück AGR-DKR-AGR

### Forging BSP Male

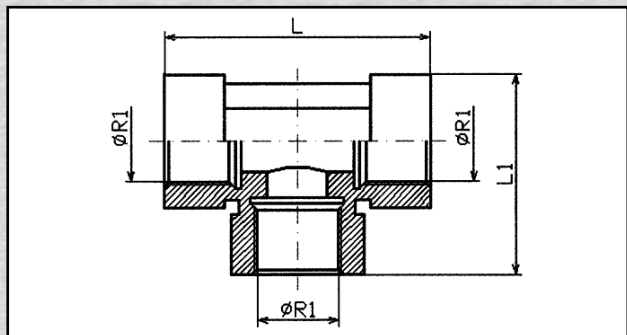
Swivel Female – Male 60° Cone "T"



Schlauch Hose DN	Gewinde Thread R1	Gewinde Thread R2	Maßzahlen Dimensions				Artikel Article	Bestell-Nummer Order-No.	Preis Price €
			L	L1	C	HEX			
06	1/4"	1/4"	50	27,5	5	19	Z122404	T-1.4 AGR-DKR-AGR	*)
10	3/8"	3/8"	56	30,5	8	22	Z122406	T-3.8 AGR-DKR-AGR	*)
12	1/2"	1/2"	60	34	11	27	Z122408	T-1.2 AGR-DKR-AGR	*)
20	3/4"	3/4"	75,5	43,5	16	32	Z122412	T-3.4 AGR-DKR-AGR	*)
25	1"	1"	91	52	22	41	Z122416	T-1.1 AGR-DKR-AGR	*)
32	1 1/4"	1 1/4"	-	-	-	-	Z122420	T-5.4 AGR-DKR-AGR	*)

## T-Stück IGR

### BSP Female "T"



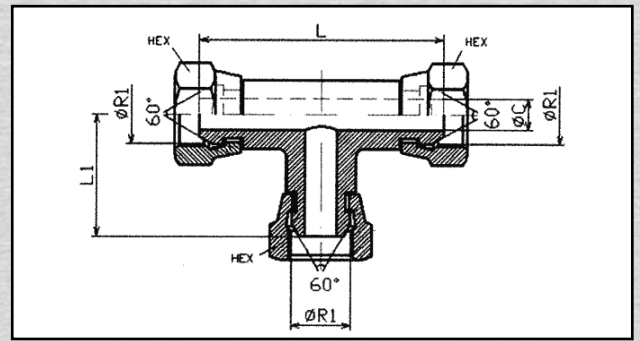
Schlauch Hose DN	Gewinde Thread R1	Maßzahlen Dimensions		Artikel Article	Bestell-Nummer Order-No.	Preis Price €
		L	L1			
-	1/4"	60	39	Z122604	T-1.4 IG	*)
-	3/8"	68	45	Z122606	T-3.8 IG	*)
-	1/2"	88	61	Z122608	T-1.2 IG	*)
-	3/4"	88	61	Z122612	T-3.4 IG	*)
-	1"	101	72	Z122616	T-1.1 IG	*)

\*) Bitte Preisliste anfordern!  
\*) Please, request price list!

## T-Stück DKR

### Forging BSP Swivel Female

60° Cone "T"



Schlauch Hose DN	Gewinde Thread R1	Maßzahlen Dimensions				Artikel Article	Bestell-Nummer Order-No.	Preis Price €
		L	L1	C	HEX			
06	1/4"	45	27,5	5	19	Z122804	T-1.4 DKR	*)
10	3/8"	55,5	30,5	8	22	Z122806	T-3.8 DKR	*)
12	1/2"	62	34	11	27	Z122808	T-1.2 DKR	*)
20	3/4"	76	43,5	16	32	Z122812	T-3.4 DKR	*)
25	1"	91	52	22	41	Z122816	T-1.1 DKR	*)
32	1 1/4"	-	-	-	-	Z122820	T-5.4 DKR	*)

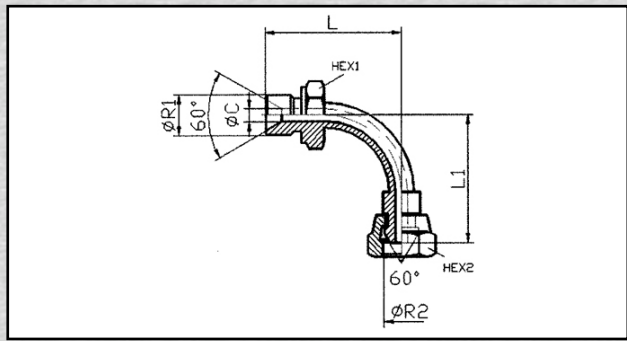
\*) Bitte Preisliste anfordern!  
\*) Please, request price list!



## 90° Bogen AGR-DKR

### Elbow 90° Male

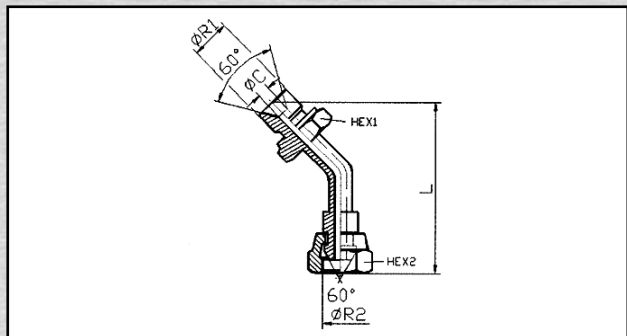
Swivel Female BSP



Schlauch Hose DN	Gewinde Thread R1	Gewinde Thread R2	Maßzahlen Dimensions				Artikel Article	Bestell-Nummer Order-No.	Preis Price €	
			L	L1	C	HEX 1				HEX 2
06	1/4"	1/4"	42	42	5	17	19	Z119404	Z 119404	*)
10	3/8"	3/8"	44	44	8	22	22	Z119406	Z 119406	*)
12	1/2"	1/2"	48	48	11	27	27	Z119408	Z 119408	*)
20	3/4"	3/4"	63	63	16	32	32	Z119412	Z 119412	*)
25	1"	1"	79	79	22	41	41	Z119416	Z 119416	*)
32	1 1/4"	1 1/4"	88	88	28	50	50	Z119420	Z 119420	*)
40	1 1/2"	1 1/2"	100	100	33	55	55	Z119424	Z 119424	*)
50	2"	2"	115	115	46	65	70	Z119432	Z 119432	*)

## 45° Bogen AGR-DKR

### 45° Elbow BSP Female – Male



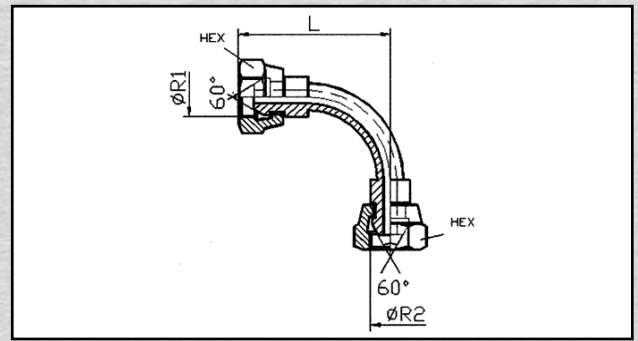
Schlauch Hose DN	Gewinde Thread R1	Gewinde Thread R2	Maßzahlen Dimensions				Artikel Article	Bestell-Nummer Order-No.	Preis Price €
			L	C	HEX 1	HEX 2			
06	1/4"	1/4"	35	5	17	19	Z119504	Z 119504	*)
10	3/8"	3/8"	46	8	22	22	Z119506	Z 119506	*)
12	1/2"	1/2"	52	11	27	27	Z119508	Z 119508	*)
20	3/4"	3/4"	58	16	32	32	Z119512	Z 119512	*)
25	1"	1"	72	22	41	41	Z119516	Z 119516	*)
32	1 1/4"	1 1/4"	78	28	50	50	Z119520	Z 119520	*)
40	1 1/2"	1 1/2"	97	33	55	55	Z119524	Z 119524	*)
50	2"	2"	75	46	65	70	Z119532	Z 119532	*)

\*) Bitte Preisliste anfordern!  
\*) Please, request price list!

## 90° Bogen DKR-DKR

### 90° Elbow Swivel Female BSP

Swivel Female BSP

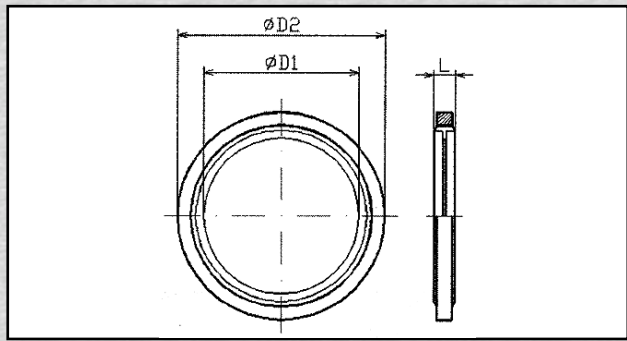


Schlauch Hose DN	Gewinde Thread R1	Gewinde Thread R2	Maßzahlen Dimensions		Artikel Article	Bestell-Nummer Order-No.	Preis Price €
			L	HEX			
06	1/4"	1/4"	42	19	<b>ZA119604</b>	<b>Z A119604</b>	*)
10	3/8"	3/8"	44	22	<b>ZA119606</b>	<b>Z A119606</b>	*)
12	1/2"	1/2"	48	27	<b>ZA119608</b>	<b>Z A119608</b>	*)
20	3/4"	3/4"	63	32	<b>ZA119612</b>	<b>Z A119612</b>	*)
25	1"	1"	79	41	<b>ZA119616</b>	<b>Z A119616</b>	*)
32	1 1/4"	1 1/4"	88	50	<b>ZA119620</b>	<b>Z A119620</b>	*)

\*) Bitte Preisliste anfordern!  
\*) Please, request price list!

## Dichtkantenringe

### Gas Bonded Seal



Schlauch Hose DN	Gewinde Thread D1	Gewinde Thread D2	Maßzahlen Dimensions L	Artikel Article	Bestell-Nummer Order-No.	Preis Price €
-	1/4"	20,7	2	ZT21004	ZT 21004	*)
-	3/8"	23,8	2	ZT21006	ZT 21006	*)
-	1/2"	28,6	2,3	ZT21008	ZT 21008	*)
-	3/4"	35	2,3	ZT21012	ZT 21012	*)
-	1"	43	3,2	ZT21016	ZT 21016	*)

\*) Bitte Preisliste anfordern!

\*) Please, request price list!