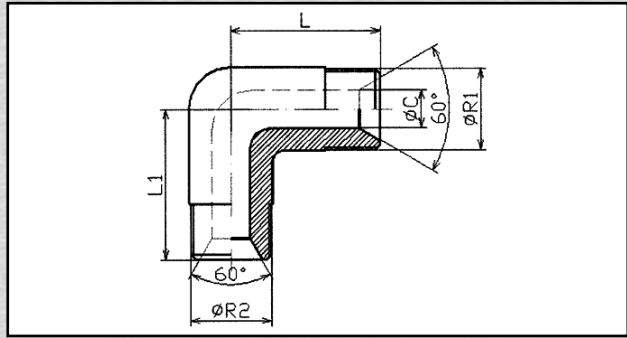


Winkel Adapter AGR-AGR 90°

BSP 90 x BSP 90

Forging BSP Male

Elbow 90°

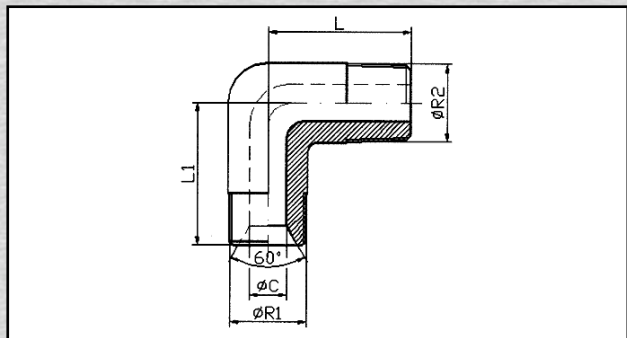


Schlauch Hose DN	Gewinde Thread R1	Gewinde Thread R2	Maßzahlen Dimensions			Artikel Article	Bestell-Nummer Order-No.	Preis Price €
			L	C	HEX			
04	1/8"	1/8"	23	23	4	Z119002	1.8 AGR - 1.8 AGR 90°	*)
06	1/4"	1/4"	26	26	5	Z119004	1.4 AGR - 1.4 AGR 90°	*)
10	3/8"	3/8"	28	28	8	Z119006	3.8 AGR - 3.8 AGR 90°	*)
12	1/2"	1/2"	30	30	11	Z119008	1.2 AGR - 1.2 AGR 90°	*)
20	3/4"	3/4"	39	39	16	Z119012	3.4 AGR - 3.4 AGR 90°	*)
25	1"	1"	45	45	22	Z119016	1.1 AGR - 1.1 AGR 90°	*)
32	1 1/4"	1 1/4"	53	53	28	Z119020	5.4 AGR - 5.4 AGR 90°	*)

Winkel Adapter AGR-BSPT 90°

Forging Elbow 90° BSP 60° Male

BSPT Male



Schlauch Hose DN	Gewinde Thread R1	Gewinde Thread R2	Maßzahlen Dimensions			Artikel Article	Bestell-Nummer Order-No.	Preis Price €
			L	L1	C			
04	1/8"	1/8" BSPT	23	23	4	Z119202	1.8 AGR - 1.8 BSPT 90°	*)
06	1/4"	1/4" BSPT	26	26	5	Z119204	1.4 AGR - 1.4 BSPT 90°	*)
10	3/8"	3/8" BSPT	28	28	8	Z119206	3.8 AGR - 3.8 BSPT 90°	*)
12	1/2"	1/2" BSPT	30	30	11	Z119208	1.2 AGR - 1.2 BSPT 90°	*)
20	3/4"	3/4" BSPT	39	39	16	Z119212	3.4 AGR - 3.4 BSPT 90°	*)
25	1"	1" BSPT	45	45	22	Z119216	1.1 AGR - 1.1 BSPT 90°	*)

*) Bitte Preisliste anfordern!
*) Please, request price list!