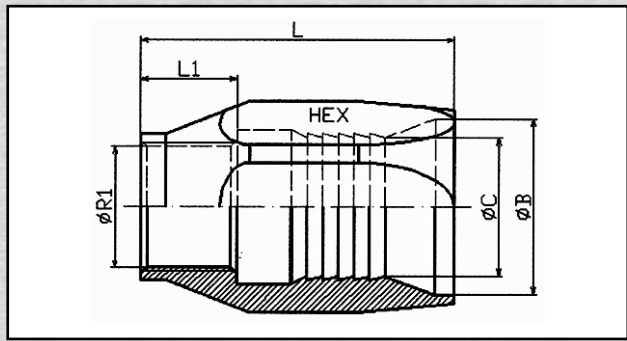


Schraubfassung 1ST

nach EN 853 / DIN 20022, 1ST

Reusable Ferrule 1ST

for hose SAE 100 R1A



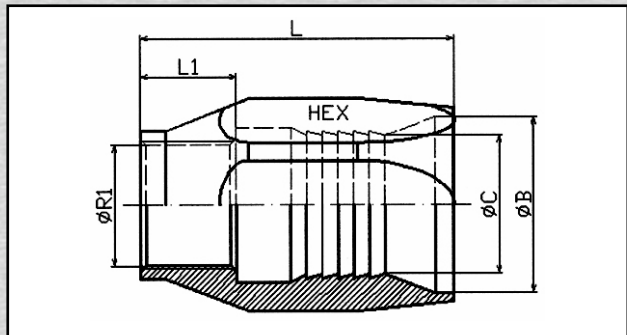
Schlauch Hose		Gewinde Thread		L	Maßzahlen Dimensions			Artikel Article	Bestell-Nummer Order-No.	Preis Price €
DN	inch	R1	L1		C	HEX				
06	1/4"	7/16"	UNF	41	11	14,1	22	Z1G-4 R1	Z1G - DN 06	*)
08	5/16"	1/2"	UNF	43	12	16	22	Z1G-5 R1	Z1G - DN 08	*)
10	3/8"	9/16"	UNF	45	10	18,5	24	Z1G-6 R1	Z1G - DN 10	*)
12	1/2"	5/8"	UNF	48	13	22,2	27	Z1G-8 R1	Z1G - DN 12	*)
16	5/8"	M18x1,5		55	14	19,5	27	Z1G-10 R1	Z1G - DN 16	*)
20	3/4"	M22x1,5		65	14	24	32	Z1G-12 R1	Z1G - DN 20	*)
25	1"	29.9	UNF	75	22	37,4	50	Z1G-16 R1	Z1G - DN 25	*)
32	1 1/4"	38,3	UNF	87	27	40	55	Z1G-20 R1	Z1G - DN 32	*)
40	1 1/2"	*)		*)	*)	*)	*)	Z1G-24 R1	Z1G - DN 40	*)

Schraubfassung 2ST

nach EN 853 / DIN 20022, 2ST

Reusable Ferrule 2ST

for hose SAE 100 R2A



Schlauch Hose		Gewinde Thread		L	Maßzahlen Dimensions			Artikel Article	Bestell-Nummer Order-No.	Preis Price €
DN	inch	R1	L1		C	HEX				
06	1/4"	7/16"	UNF	43	11,5	12	22	Z1G-4 R2	Z2G - DN 06	*)
08	5/16"	1/2"	UNF	43	10,5	14	22	Z1G-5 R2	Z2G - DN 08	*)
10	3/8"	9/16"	UNF	45	10	16	24	Z1G-6 R2	Z2G - DN 10	*)
12	1/2"	5/8"	UNF	49	10	18,5	27	Z1G-8 R2	Z2G - DN 12	*)
16	5/8"	M18x1,5		53	12,5	20,5	32	Z1G-10 R2	Z2G - DN 16	*)
20	3/4"	M22x1,5		65	15	25,7	36	Z1G-12 R2	Z2G - DN 20	*)
25	1"	29.9	UNF	75	23	33	46	Z1G-16 R2	Z2G - DN 25	*)
32	1 1/4"	38,3	UNF	87	28	42,5	60	Z1G-20 R2	Z2G - DN 32	*)
40	1 1/2"	*)		*)	*)	*)	*)	Z1G-24 R2	Z2G - DN 40	*)

*) Bitte Preisliste anfordern!
*) Please, request price list!